



*John P. Kelly, Director
Frank Sadeghi, Deputy Director
Robert S. Arace, Commissioner
Jennifer Bacchione, Commissioner
Virginia E. Haines, Commissioner*

Jennifer L. Bowens, Purchasing Agent

*County of Ocean
Administration Building
101 Hooper Avenue
Toms River, NJ 08754*

BID

***SOLAR POWERED LED CHEVRON RADAR SIGNS AND CURVE WARNING
SYSTEM***

2025

***ADVERTISEMENT DATE: June 11, 2025
OPENING: July 1, 2025, 11:00 am***

Bid Category: 13- Highway Road Equipment, Materials, and Related Equipment

Notice to Bidders

NOTICE IS HEREBY GIVEN that sealed bids for the furnishing and delivery of **SOLAR POWERED LED CHEVRON RADAR SIGNS AND CURVE WARNING SYSTEM** for the County of Ocean, will be received by the Purchasing Agent of the County of Ocean on **Tuesday, July 1, 2025 at 11:00 am**, prevailing time.

Bids will be received electronically via the County's Online Procurement Portal. Specifications are available on the Procurement Portal or for viewing only, in the Department of Purchase, Room #224, Administration Building, 101 Hooper Avenue, Toms River, New Jersey. Direct all inquiries to Jennifer L. Bowens, Purchasing Agent.

Bidders are required to comply with the requirements of N.J.S.A. 10:5-31 et seq. and P.L. 1975 C. 127 (N.J.A.C. 17:27-1 et seq.) regarding equal employment opportunities and with the requirements of P.L. 1977 C.33 regarding corporate and/or partnership ownership.

The right to reject any and all bids is reserved in accordance with applicable law.

By order of the Board of Commissioners of the County of Ocean.

Signed:

JOHN P. KELLY, Director

JENNIFER L. BOWENS, Purchasing Agent

Contact Information and Project Timeline

Summary

The purpose of this bid package is to provide the County of Ocean with a Contractor who will supply the materials or services described and specified herein.

Contact Information

For further information regarding these specifications, contact

Jessica Hannold

Senior Buyer

Email: ocpurchasing@co.ocean.nj.us

Phone: [\(732\) 929-2103](tel:(732)929-2103)

Department:

Engineering

Timeline

Advertising Date	June 11, 2025
Bid Opening Date	July 1, 2025, 11:00am Administration Building, 101 Hooper Ave., Room 119, Toms River, NJ, 08753

Important Instructions for Electronic Submittal

Instructions for Electronic Bid Submission

The County is accepting electronic bid submissions with Open Gov by following these instructions:

Sign up for a FREE account at <https://procurement.opengov.com/portal/oceancounty>

Once you have completed account registration, browse back to this page: [County's OpenGov Electronic Bid Portal \(https://procurement.opengov.com/portal/oceancounty/\)](https://procurement.opengov.com/portal/oceancounty/)

Click on the bid of interest, then click "Draft Response".

Follow the instructions to submit the electronic bid.

It is important to note that this process should be completed well in advance of the bid deadline / bid opening. DO NOT WAIT UNTIL THE LAST MINUTE. The County's electronic submission system will not allow electronic bids to be submitted once the deadline has passed, even if you've already started the process. The deadline is based on the countdown timer found on the OpenGov bid submission page.

Instructions to Bidders

Bid Opening

All bids will be opened publicly in the Administration Building, Room 119, 101 Hooper Avenue, Toms River, New Jersey, commencing at 11:00 am, prevailing time on Tuesday, July 1, 2025.

Electronic Bid Submissions

Bids must be submitted electronically through Ocean County's Procurement Portal by the date and time stipulated in the Notice to Bidders.

Deadline Instructions

The County will not be responsible for late bids, and no bids will be accepted if received after the time stipulated in the notice to bidders.

Completion of all Documents

Bidders shall complete all documents and acknowledge all terms included with the bid package. All documents should be from this bid package and must not be dated or executed prior to the date of advertising. Failure to follow these instructions is cause for rejection.

NOTE: In order to access any DocuSign forms in this solicitation, you must first click "Draft Response". Instructions on how to access the forms through DocuSign are available in the Attachments. Please note that in order to view the forms as a .pdf document, you must access DocuSign first. Once you access DocuSign, the option to download, save, print and complete the forms becomes available

Right to Reject

The County reserves the right to reject all bids in accordance with N.J.S.A. 40A:11-13.2, to waive any informalities in the bid and to accept the lowest responsible bid in accordance with applicable law.

Bidder Default

In case of default by the bidder or contractor, the County of Ocean may procure the articles or services from other sources and hold the bidder or contractor responsible for any excess cost occasioned thereby.

Indemnity

The bidder, if awarded a contract, agrees to protect, defend and save harmless the County against any damage for payment for the use of any patented material process, article or device that may enter into the manufacture, construction or form a part of the work covered by either order or contract, and he further agrees to indemnify and save harmless the County from suits or actions of every nature and description brought against it, for, or on account of injuries or damages received or sustained by any party or parties by, or from any of the negligent acts of the contractor, his servants or agents.

Specifications

It is to be understood by the bidder that this bid is submitted on the basis of specifications prepared by the County and the fact that any bidder is not familiar with these specifications or conditions will not be accepted as an excuse.

Bid Security

NO BID SECURITY

Performance Bond

NO PERFORMANCE BOND

Pricing Proposal

Bidders must use the pricing proposal provided in the bid specifications. Failure to use the pricing proposal in the bid specifications shall be cause for rejection of the bid.

Pricing

Insert prices for furnishing all of the material and/or labor described or required. Prices shall be net, including any charges for packing, crating, containers, etc. and all transportation charges fully prepaid by the contractor F.O.B. destination and placement at locations specified by the County. No additional charges will be allowed for any transportation costs resulting from partial shipments made at the vendor's convenience when a single shipment is ordered.

Payment

Payments will be made upon the approval of vouchers submitted by the successful bidders in accordance with the requirements of the Board of Commissioners and subject to the Board of Commissioners customary procedures. The County will not pay interest or late fees regardless of language provided.

Discrepancy in Pricing

In the event that there is a discrepancy between the unit prices and the extended totals, the unit prices shall prevail. In the event there is an error of the summation of the extended totals, the computation by the OWNER of the extended totals shall govern.

Award Timeframe

Award will be made by Ocean County Board of Commissioners within sixty (60) days after receipt of bids.

Equal or Tie Bids

The County of Ocean reserves the right to award at their discretion to any one of the tie bidders where it is most advantageous for the County to do so, pursuant to N.J.S.A. 40A:11-6.1.

Tax Exempt

The County of Ocean is exempt from any State sales tax or Federal excise tax.

Equivalent Product

When offering an equivalent product, the bidder must clearly specify any variations from the stated specifications, regardless of how minor. The County will determine whether the proposed item meets or exceeds the specified product based on its quality, performance, and suitability for the intended use. Where equivalent equipment is offered, the County will determine if the proposed item is equal to or better than specified.

Evaluation

In addition to pricing, evaluation will include an assessment of quality, adherence to specifications, suitability for the County's needs, delivery terms, and warranty provisions. If no deviations from the specifications are noted, the bid will be assumed to be fully compliant with the stated requirements.

Quantities

The quantities shown on the pricing proposal are **estimates only**, and Ocean County will not guarantee any minimum purchase. The County reserves the right to decrease or omit quantities as needed over the course of the contract. The county will not consider any minimum requirements imposed on order quantities. The County also reserves the right to increase quantities to twenty (20) percent of the maximum quantities listed at the unit price bid, in accordance with N.J.A.C. 5:30-11.3. *Note: Actual orders are placed upon receipt of a Purchase Order, on an as needed basis. The County will not be responsible to pay for any product that was not ordered through a Purchase Order.*

Delivery of Goods and Services

Delivery of items shall only be made upon receipt of a Purchase Order issued by the Ocean County Department of Purchase, upon which delivery locations and needed quantities shall be indicated.

American Goods and Products

All contractors must comply with the provisions of New Jersey Statute Title 40A:11-18, when applicable.

No Assignment

This agreement shall not be assigned without the written consent of the County of Ocean.

NJ One Call

By presenting a bid, contractor declares that he is aware of and, if required, will comply with the requirements of the "Underground Facility Protection Act (Public Law 1994, Chapter 118)" prior to commencing any intended excavation. The telephone number to call is 1-800-272-1000.

Public Works Contractor Registration Act, N.J.S.A. 34:11-56.48 et seq

The bidder must comply with the provisions of "The Public Works Contractor Registration Act", if applicable.

- All named contractors must be registered with the Department of Labor and Workforce Development pursuant to the Public Works Contractor Registration Act at the time the proposal is received, or the proposal will be determined to be non-responsive.
- Any non-listed contractor must be registered with the Department of Labor and Workforce Development prior

to physically starting work. It is the responsibility of the General Contractor to insure that all non-listed sub-contractors comply.

- Contractors are encouraged to submit their and all named sub-contractors' Public Works Contractor Registration Certificates with the bid.

Prevailing Wage & Labor Laws

The New Jersey Prevailing Wage Act (P.L. 1963, Chapter 150) and provisions of the State Labor Laws must be complied with by the successful bidder, if applicable. The current Prevailing Wage Rates can be found online at <https://www.nj.gov/labor/wageandhour/prevailing-rates/public-works/currentprevailingwage.shtml>

All Certified Payrolls for Public Works Projects **must** be submitted online via the New Jersey Wage Hub website which can be accessed through the following link: <https://njwages.nj.gov/>. Certified payrolls must be submitted within ten (10) days of the payment of wages for each pay period, **both** online via New Jersey Wage Hub and hard copy to the contracting unit.

New Jersey Business Registration Requirements

Pursuant to N.J.S.A. 52:32-44, Ocean County ("Contracting Agency") is prohibited from entering into a contract with an entity unless the bidder/proposer/contractor, and each subcontractor that is required by law to be named in a bid/proposal/contract has a valid Business Registration Certificate on file with the Division of Revenue and Enterprise Services within the Department of the Treasury.

Prior to contract award or authorization, the contractor shall provide the Contracting Agency with its proof of business registration and that of any named subcontractor(s).

Subcontractors named in a bid or other proposal shall provide proof of business registration to the bidder, who in turn, shall provide it to the Contracting Agency prior to the time a contract, purchase order, or other contracting document is awarded or authorized.

During the course of contract performance:

(1) the contractor shall not enter into a contract with a subcontractor unless the subcontractor first provides the contractor with a valid proof of business registration.

(2) the contractor shall maintain and submit to the Contracting Agency a list of subcontractors and their addresses that may be updated from time to time.

(3) the contractor and any subcontractor providing goods or performing services under the contract, and each of their affiliates, shall collect and remit to the Director of the Division of Taxation in the Department of the Treasury, the use tax due pursuant to the Sales and Use Tax Act, (N.J.S.A. 54:32B-1 et seq.) on all sales of tangible personal property delivered into the State. Any questions in this regard can be directed to the Division of Taxation at (609)292-6400. Form NJ-REG can be filed online at [http://www.state.nj.us/revenue/busregcert.shtml](http://www.state.nj.us/reasury/revenue/busregcert.shtml).

Before final payment is made under the contract, the contractor shall submit to the Contracting Agency a complete and accurate list of all subcontractors used and their addresses.

Pursuant to N.J.S.A. 54:49-4.1, a business organization that fails to provide a copy of a business registration as

required, or that provides false business registration information, shall be liable for a penalty of \$25 for each day of violation, not to exceed \$50,000, for each proof of business registration not properly provided under a contract with a contracting agency.

Pay to Play Requirements

Starting in January 2007, all business entities are advised of their responsibility to file an annual disclosure statement of political contributions with the New Jersey Election Law Enforcement Commission (ELEC) pursuant to N.J.S.A. 19:44A-20.27 if they receive contracts in excess of \$50,000 from public entities in a calendar year. Business entities are responsible for determining if filing is necessary. Additional information on this requirement is available from ELEC at 888-313-3532 or at www.elec.state.nj.us.

Statement of Ownership

The provisions of N.J.S.A. 52:25-24.2 apply to all forms of corporations and partnerships, including, but not limited to, limited partnerships, limited liability corporations, limited liability partnerships, and Subchapter S corporations.

Disclosure of Investment Activities in Iran

Pursuant to Public Law 2012, c. 25, any person or entity that is a successful bidder or proposer, or otherwise proposes to enter into or renew a contract, must complete the certification below to attest, under penalty of perjury, that neither the person or entity, nor any parent entity, subsidiary, or affiliate is identified on the State Department of Treasury's Chapter 25 list as a person or entity engaging in investment activities in Iran. The list is found on Treasury's website at www.state.nj.us/treasury/purchase/pdf/Chapter25List.pdf.

The Chapter 25 list must be reviewed prior to completing the certification. If a vendor or contractor is found to be in violation of law, action may be taken as appropriate and as may provided by law, rule or contract, including but not limited to imposing sanctions, seeking compliance, recovering damages, declaring the party in default and seeking debarment or suspension of the party. Prior to contract award or authorization, the contractor shall provide the Contracting Agency with a completed Certification on Disclosure of Investment Activities in Iran.

Certification of Non-Involvement in Prohibited Activities in Russia or Belarus

Pursuant to N.J.S.A. 52:32-60.1, et seq. ([L. 2022, c. 3](#)) any person or entity (hereinafter "Vendor") that seeks to enter into or renew a contract with a State agency for the provision of goods or services, or the purchase of bonds or other obligations, must complete the certification below indicating whether or not the Vendor is identified on the Office of Foreign Assets Control (OFAC) Specially Designated Nationals and Blocked Persons list, available here: <https://sanctionssearch.ofac.treas.gov/>. If the Department of the Treasury finds that a Vendor has made a certification in violation of the law, it shall take any action as may be appropriate and provided by law, rule or contract, including but not limited to, imposing sanctions, seeking compliance, recovering damages, declaring the party in default and seeking debarment or suspension of the party.

Insurance Requirements

The contractor shall maintain primary insurance to protect against all claims under Workmen's Compensation, Comprehensive General Liability and Automobile. Except for Workmen's Compensation, all coverage shall apply as primary coverage with respect to any other insurance or self-insurance program afforded to the County. There shall be no endorsement or modification of this coverage to make it excess over other available insurance/coverage; alternatively, if the CGL and umbrella, excess of reinsurance states that it is pro rata, it shall be endorsed to be primary with respect to the County. Primary Coverage shall be subject to approval for adequacy of protection as per the following limits:

Worker's Compensation

1. Limits according to Worker's compensation Laws of the State of New Jersey.
2. Contractor's Liability not less than \$100,000.

Comprehensive General Liability

1. Bodily Injury - \$500,000 per person; \$1,000,000 per occurrence.
2. Property Damage - \$1,000,000 per occurrence.

Comprehensive General Liability Details

Comprehensive Automobile Liability shall include the following:

Business auto liability insurance or its equivalent with a minimum limit of \$1,000,000 per accident and including coverage for all of the following:

- A. Liability arising out of the ownership, maintenance or use of any auto;
- B. Auto non-ownership and hired car coverage.
- C. Contractor's Worker's Compensation, Comprehensive General Liability and
- D. Comprehensive Automobile Liability arising out of subcontractor's operations shall be identical as that listed above.

Proof of Insurance

Copies of each insurance certificate shall be furnished to the County when requested.

Open Public Records Act (OPRA)

**** ATTENTION****

Responses received pursuant to this solicitation are subject to complete disclosure pursuant to the Open Public Records Act. Please note that disclosure includes any and all attachments and addenda supplementing the solicitation response. Accordingly, please do not include personal identifying information in any supplementary documents submitted with the solicitation response.

County Cooperative Contract Purchasing System

The County has established a "COUNTY COOPERATIVE CONTRACT PURCHASING SYSTEM" pursuant to N.J.S.A. 40a:11-1 et seq...

The IDENTIFIER for this system is:
CK-02-OC

This system allows local government contracting entities located within the geographical boundaries of the County to purchase goods and services awarded as a result of this bid proposal if it is extended by the low bidder.

Goods and services must be made available without substitution or deviation from specifications, size, features, quality, price or availability as herein set forth. It is understood that orders, if any, will be placed directly by contracting units, subject to the overall terms of the contract to be awarded by the County of Ocean.

The estimated quantities listed in this specification reflect only the needs of the agencies under the direct control of the Ocean County Board of Commissioners. If the vendor chooses to extend the resulting contract to all other contracting units, the quantities could be higher.

Please check (✓) the YES or NO box in the Vendor Questionnaire to indicate whether or not you will extend contract prices to all contracting units.

Award Method

Contract will be awarded on a lump sum by item basis.

Specifications and Scope of Work

Scope of Work

Please see Question # 8 in the Vendor Questionnaire for the Compliance Pages for this bid. Please download, complete, and Upload the Compliance pages.

Intent

CONTRACT TERMS

The contract shall be one (1) year from date of award, or until delivery is complete unless otherwise stated. The County reserves the right to extend the term of the contract pursuant to N.J.S.A. 40A:11-15.

INTENT

The purpose of this bid package is to provide the County of Ocean with a Contractor who will supply the materials described and specified herein.

BID REVIEW

Bids may be reviewed at the bid opening and results will be made available online through the County's procurement portal once the bid meeting has concluded. Additionally, bid results are available in the Ocean County Purchasing Department on the day following the bid openings for any interested party that may wish to review them.

AVAILABILITY OF FUNDS

The County's obligation hereunder is contingent upon the availability of appropriated funds from which payment for contract purposes can be made. No legal liability on the part of the County for payment of any money shall arise unless, and until funds are made available each year to the Ocean County Purchasing Agent.

MODIFICATIONS AND WITHDRAWALS

Bids may be withdrawn from the bidder prior to the time fixed for opening. No right for withdrawal exists after the bid has been opened. Written request for withdrawal shall be signed by the bidder or proper corporate officers.

USE OF OTHER NAMES AND REFERENCES

Unless otherwise stated, the use of manufacturers' names and product numbers are for descriptive purposes, and establishing general quality levels only. They are not intended to be restrictive. Bidders are required to state exactly what they intend to furnish, otherwise it is fully understood that they shall furnish all items as stated.

QUALITY

The materials and supplies called for herein, shall be the best of their grade and types, prepared according to the best available standards or accepted formulas, and thoroughly tested and subjected to rigid examinations and standardization. Items not meeting these requirements shall be replaced at no cost to the County upon due notice of deficiency.

WARRANTY

Manufacturer's warranty shall apply.

MODEL INFORMATION REQUIRED

The manufacturer, make or exact models proposed as substitutes shall also be submitted on bidder's letterhead with any proposal contended to be "equivalent."

AVAILABILITY AND DELIVERY

The bidder should indicate the number of days required for the delivery After Receipt of Order (A.R.O.). If not submitted with the bid proposal, the County reserves the right to request this information prior to the award of contract.

TRANSITIONAL PERIOD

In the event services are terminated by contract expiration or by voluntary termination by either the Contractor or the County of Ocean, the Contractor shall continue all terms and conditions of said contract for a period not to exceed one (1) month at the County's request.

COMPLIANCE TO MINIMUM BID REQUIREMENTS / EQUIVALENT PROPOSALS

These specifications intend to describe and govern the purchase of a new and unused SOLAR POWERED LED CHEVRON RADAR SIGNS AND CURVE WARNING SYSTEM with all accessories as noted herein. The products shall conform to the highest quality of manufacturing and design standards. Any item or items not specifically mentioned herein, but which would be required to produce a complete working unit, shall be supplied by the vendor.

All compliance pages must be completed in full if required within the specifications. A general exception cannot be taken for any paragraph or item. Suppose a bidder is basing his proposal on equipment other than what is specified in these bid documents and wishes the equipment he proposes to be considered as an "approved equal". In that case, he shall submit on a separate sheet, in the exact format of the technical specifications contained herein, an item-by-item description of that which he proposes to substitute including all variations from or exceptions to the conditions and specifications of this bid. Failure to comply may result in the rejection of the bid.

CURRENT BID RESULTS

If there is a current contract in place for this bid, those results may be obtained by accessing our procurement portal at the below link:

<https://procurement.opengov.com/portal/oceancounty>

Once you have clicked the link, click "Advanced Search" to begin searching for the current opportunity.

Americans with Disabilities Act

Equal Opportunity For Individuals With Disabilities

The CONTRACTOR and the COUNTY do hereby agree that the provisions of title II of the Americans with Disabilities Act of 1990 (the "Act") (42 U.S.C. 12101 et seq.), which prohibits discrimination on the basis of disability by public entities in all services, programs and activities provided or made available by public entities, and the rules and regulations promulgated pursuant thereto, are made a part of this contract. In providing any aid, benefit, or service on behalf of the COUNTY pursuant to this contract, the CONTRACTOR agrees that the performance shall be in strict compliance with the Act. In the event that the CONTRACTOR, its agents, servants, employees, or subcontractors violate or are alleged to have violated the Act during the performance of this contract, the CONTRACTOR shall defend the COUNTY in any action or administrative proceeding commenced pursuant to this Act. The CONTRACTOR shall indemnify, protect and save harmless the COUNTY, its agents, servants and employees from and against any and all suits, claims, losses, demands, or damages of whatever kind or nature arising out of or claimed to arise out of the alleged violation. The CONTRACTOR shall, at its own expense, appear, defend and pay any and all charges for legal services and any and all costs and other expenses arising from such action or administrative proceeding or incurred in connection therewith. In any and all complaints brought pursuant to the COUNTY'S grievance procedure, the CONTRACTOR agrees to abide by any decision of the COUNTY which is rendered pursuant to said grievance procedure. If any action or administrative proceeding results in an award of damages against the COUNTY or if the COUNTY incurs any expense to cure a violation of the ADA which has been brought pursuant to its grievance procedure, the CONTRACTOR shall satisfy and discharge the same at its own expense.

The COUNTY shall, as soon as practicable after a claim has been made against it, give written notice thereof to the CONTRACTOR along with full and complete particulars of the claim. If any action or administrative proceeding is brought against the COUNTY or any of its agents, servants and employees, the COUNTY shall expeditiously forward or have forwarded to the CONTRACTOR every demand, complaint, notice, summons, pleading, or other process received by the COUNTY or its representatives.

It is expressly agreed and understood that any approval by the COUNTY of the services provided by the CONTRACTOR pursuant to this contract will not relieve the CONTRACTOR of the obligation to comply with the Act and to defend, indemnify, protect and save harmless the COUNTY pursuant to this paragraph.

It is further agreed and understood that the COUNTY assumes no obligation to indemnify or save harmless the CONTRACTOR, its agents, servants, employees and subcontractors for any claim which may arise out of their performance of this Agreement. Furthermore, the CONTRACTOR expressly understands and agrees that the provision of this indemnification clause shall in no way limit the CONTRACTOR'S obligations assumed in this Agreement, nor shall they be construed to relieve the CONTRACTOR from any liability, nor preclude the COUNTY from taking any other actions available to it under any other provisions of this Agreement or otherwise at law.

Mandatory Equal Employment Opportunity

N.J.S.A. 10:5-31 et seq. (P.L. 1975, C. 127)

N.J.A.C. 17:27

GOODS, PROFESSIONAL SERVICE AND GENERAL SERVICE CONTRACTS

During the performance of this contract, the contractor agrees as follows:

The contractor or subcontractor, where applicable, will not discriminate against any employee or applicant for employment because of age, race, creed, color, national origin, ancestry, marital status, affectional or sexual orientation, gender identity or expression, disability, nationality or sex. Except with respect to affectional or sexual orientation and gender identity or expression, the contractor will ensure that equal employment opportunity is afforded to such applicants in recruitment and employment, and that employees are treated during employment, without regard to their age, race, creed, color, national origin, ancestry, marital status, affectional or sexual orientation, gender identity or expression, disability, nationality or sex. Such equal employment opportunity shall include, but not be limited to the following: employment, upgrading, demotion, or transfer; recruitment or recruitment advertising; layoff or termination; rates of pay or other forms of compensation; and selection for training, including apprenticeship. The contractor agrees to post in conspicuous places, available to employees and applicants for employment, notices to be provided by the Public Agency Compliance Officer setting forth provisions of this nondiscrimination clause.

The contractor or subcontractor, where applicable will, in all solicitations or advertisements for employees placed by or on behalf of the contractor, state that all qualified applicants will receive consideration for employment without regard to age, race, creed, color, national origin, ancestry, marital status, affectional or sexual orientation, gender identity or expression, disability, nationality or sex.

The contractor or subcontractor will send to each labor union, with which it has a collective bargaining agreement, a notice, to be provided by the agency contracting officer, advising the labor union of the contractor's commitments under this chapter and shall post copies of the notice in conspicuous places available to employees and applicants for employment.

The contractor or subcontractor, where applicable, agrees to comply with any regulations promulgated by the Treasurer pursuant to N.J.S.A. 10:5-31 et seq., as amended and supplemented from time to time and the Americans with Disabilities Act.

The contractor or subcontractor agrees to make good faith efforts to meet targeted county employment goals established in accordance with N.J.A.C. 17:27-5.2.

The contractor or subcontractor agrees to inform in writing its appropriate recruitment agencies including, but not limited to, employment agencies, placement bureaus, colleges, universities, and labor unions, that it does not discriminate on the basis of age, race, creed, color, national origin, ancestry, marital status, affectional or sexual orientation, gender identity or expression, disability, nationality or sex, and that it will discontinue the use of any recruitment agency which engages in direct or indirect discriminatory practices.

The contractor or subcontractor agrees to revise any of its testing procedures, if necessary, to assure that all personnel testing conforms with the principles of job-related testing, as established by the statutes and court decisions of the State of New Jersey and as established by applicable Federal law and applicable Federal court decisions.

In conforming with the targeted employment goals, the contractor or subcontractor agrees to review all procedures relating to transfer, upgrading, downgrading and layoff to ensure that all such actions are taken without regard to age, race, creed, color, national origin, ancestry, marital status, affectional or sexual

orientation, gender identity or expression, disability, nationality or sex, consistent with the statutes and court decisions of the State of New Jersey, and applicable Federal law and applicable Federal court decisions.

The contractor shall submit to the public agency, after notification of award but prior to execution of a goods and services contract, one of the following three documents:

- Letter of Federal Affirmative Action Plan Approval
- Certificate of Employee Information Report
- Employee Information Report Form AA302 (electronically provided by the Division and distributed to the public agency through the Division's website at www.state.nj.us/treasury/contract_compliance)

The contractor and its subcontractors shall furnish such reports or other documents to the Division of Purchase & Property, CCAU, EEO Monitoring Program as may be requested by the office from time to time in order to carry out the purposes of these regulations, and public agencies shall furnish such information as may be requested by the Division of Purchase & Property, CCAU, EEO Monitoring Program for conducting a compliance investigation pursuant to **Subchapter 10 of the Administrative Code at N.J.A.C. 17:27.**

Vendor Questionnaire

OpenGov Vendor Account Verification*

I hereby confirm that I am logged into OpenGov using an account directly associated with the Business Name (and corresponding Tax ID number) as provided in all solicitation documentation. I fully understand that, if awarded a contract with Ocean County, the company information listed in the Contract Information Field will be used for the preparation of all contract documents. *Failure to adhere to these requirements may result in the rejection of this bid.*

Please confirm

*Response required

County Cooperative Contract Purchasing System*

Vendor will extend contract prices to "County Cooperative Contract Purchasing System" Participants as described in [Instruction to Bidders](#) .

Yes

No

*Response required

DOCUMENTS TO BE EXECUTED*

Documents include:

- Signature Page
- Non-Collusion Certification
- Affirmative Action Questionnaire
- **Statement of Ownership (N.J.S.A. 52:25-24.2) (Mandatory Document)**
- Disclosure of Investment Activities in Iran
- Certification of Non-Involvement in Prohibited Activities in Russia or Belarus

FAILURE TO SUBMIT ANY OF THESE DOCUMENTS MAY BE CAUSE FOR REJECTION OF YOUR PROPOSAL.

All documents should be from this proposal package as forms change frequently and the most updated forms are provided in this specification. The forms must not be dated or executed prior to the date of advertising.

NOTE: For detailed instructions on how to complete the forms via DocuSign, please access the "Instructions for Completing Forms in DocuSign" document available in the Attachments.

Please note: The County's preferred method of submission is DocuSign.

[Click here to go to the form](#)

*Response required

CONTRACT INFORMATION*

Should your company be awarded a contract with Ocean County, please provide the contact name and physical mailing address where the contract documents should be mailed. *(no email addresses, please!)*

*Response required

Copy of Bidder's Certificate of Employee Information Report

Within seven (7) days after receipt of the notification of intent to award the contract or receipt of the contract, whichever is sooner, a Contractor should present one of the following to the County of Ocean:

- (a) An existing federally approved or sanctioned affirmative action program.
- (b) A New Jersey Certificate of Employee Information Report Approval.
- (c) If the Contractor cannot present "a" or "b", the Contractor is required to submit a completed Employee Information Report (Form AA302 for Goods and Services; Form AA201 for Construction). This form is available [here](#).

QUESTIONS BELOW MUST BE ANSWERED BY ALL CONTRACTORS ON THE AFFIRMATIVE ACTION DOCUMENT:

1. Do you have a Federally approved or sanctioned Affirmative Action Program?

If yes, please upload a photocopy of such approval.

2. Do you have a State of New Jersey "Certificate of Employee Information Report" approval?

If yes, please upload a photocopy of such certificate.

Please note, the only acceptable file forms are as follows:

Documents (doc, docx, rtf, txt, xls, xlsx, pdf)

Images (jpg, png, bmp, tif)

Copy of Bidder's New Jersey Business Registration Certificate

Please use this area to upload your company's BRC.

Use this link to verify your company's BRC:

https://www1.state.nj.us/TYTR_BRC/jsp/BRCLoginJsp.jsp

Please note that a BRC is not required at the time of bid submission but shall be required prior to the award of a contract.

Please note, the only acceptable file forms are as follows:

Documents (doc, docx, rtf, txt, xls, xlsx, pdf)

Images (jpg, png, bmp, tif)

Mandatory Equal Employment Opportunity Statement*

Does the BIDDER comply with the [#Mandatory Equal Employment Opportunity Statement?](#)

Yes

No

*Response required

Americans with Disabilities Act Provisions*

Does the BIDDER comply with the [#Americans with Disabilities Act Provisions?](#)

Yes

No

*Response required

Descriptive Literature and Warranty Details*

Please supply all descriptive literature and warranty details for all items being bid as well as a list of all diagnostic tools and testing equipment, if applicable.

Please note, the only acceptable file forms are as follows:

Documents (doc, docx, rtf, txt, xls, xlsx, pdf)

Images (jpg, png, bmp, tif)

*Response required

COMPLIANCE PAGES*

Please download the attached Compliance Pages. Complete each compliance line by placing a check mark in the box for Yes or No, then upload the completed document. If you are taking any exceptions to any of the compliance lines, please list and explain each exception in detail on company letterhead. Please upload the exceptions letter with the completed Compliance Pages.

Please note, the only acceptable file forms are as follows:

Documents (doc, docx, rtf, txt, xls, xlsx, pdf)

Images (jpg, png, bmp, tif)

- [COMPLIANCE PAGES -SOLAR POW...](#)

*Response required

ADDITIONAL DOCUMENTATION

Please add any additional documentation you wish to be considered here.

Please note, the only acceptable file forms are as follows:

Documents (doc, docx, rtf, txt, xls, xlsx, pdf)

Images (jpg, png, bmp, tif)

Acknowledgement of Submission of Forms from Current Bid Package*

Bidders shall complete all documents and acknowledge all terms included with the bid package. All documents should be from this bid package as forms change frequently and the most updated forms are provided in this specification. The forms must not be dated or executed prior to the date of advertising. Failure to follow these instructions is cause for rejection.

Please confirm

*Response required

Submission of Bid Package*

By submitting a response to this solicitation, the Vendor understands and acknowledges that all required documents to this solicitation must be submitted and that failure to do so may be cause for rejection.

Bidder also understands that only one (1) bid submission shall be considered. Please DO NOT Submit a manual bid response. Submitting a manual response in addition to the electronic response is cause for rejection of your bid.

Please confirm

*Response required

Pricing Proposal

ITEM #1 - SOLAR CHEVRON RADAR SIGN, 30" X 36", AS SPECIFIED OR EQUAL

Line Item	Description	Quantity	Unit of Measure	Unit Cost	Total	No Bid	Mfr./Make/Model	Delivery A.R.O.	Comments
1	Solar Chevron Radar Sign, 30" X 36", As Specified or Equal	2	EA						
OPTIONS									
1A	Sign Assembly, As Specified or Equal	2	EA						
1B	Cabinet, As Specified or Equal	2	EA						
1C	Round Pole Banding Bracket, As Specified or Equal	2	EA						
1D	Square Pole Bolt-Through Bracket, As Specified or Equal	2	EA						
1E	Multi-Purpose Bracket, As Specified or Equal	2	EA						
1F	Controller, As Specified or Equal	2	EA						
1G	Wireless Radio, As Specified or Equal	2	EA						
1H	Solar Panel, As Specified or Equal	2	EA						
1I	Top-of-Pole Bracket, As Specified or Equal	2	EA						
1J	Side-of-Pole Bracket, As Specified or Equal	2	EA						
1K	Battery, As Specified or Equal	2	EA						
1L	Radar Detection, As Specified or Equal	2	EA						
1M	Heavy Duty Pole Package with Anchor Bolts, As Specified or Equal	2	EA						
TOTAL									

ITEM #2 - SOLAR CHEVRON RADAR SIGN, 30" X 36", RUGGEDIZED, AS SPECIFIED OR EQUAL

Line Item	Description	Quantity	Unit of Measure	Unit Cost	Total	No Bid	Mfr./Make/Model	Delivery A.R.O.	Comments
2	Solar Chevron Radar Sign, 30" X 36", Ruggedized, As Specified or Equal	6	EA						
OPTIONS									
2A	Sign Assembly, As Specified or Equal	6	EA						

Line Item	Description	Quantity	Unit of Measure	Unit Cost	Total	No Bid	Mfr./Make/Model	Delivery A.R.O.	Comments
2B	Cabinet, As Specified or Equal	6	EA						
2C	Round Pole Banding Bracket, As Specified or Equal	6	EA						
2D	Square Pole Bolt-Through Bracket, As Specified or Equal	6	EA						
2E	Multi-Purpose Bracket, As Specified or Equal	6	EA						
2F	Controller, As Specified or Equal	6	EA						
2G	Wireless Radio, As Specified or Equal	6	EA						
2H	Solar Panel, As Specified or Equal	6	EA						
2I	Top-of-Pole Bracket, As Specified or Equal	6	EA						
2J	Side-of-Pole Bracket, As Specified or Equal	6	EA						
2K	Battery, As Specified or Equal	6	EA						
2L	Radar Detection, As Specified or Equal	6	EA						
2M	Heavy Duty Pole Package with Anchor Bolts, As Specified or Equal	6	EA						
TOTAL									

ITEM #3 - CURVE WARNING SYSTEM, AS SPECIFIED OR EQUAL

Line Item	Description	Quantity	Unit of Measure	Unit Cost	Total	No Bid	Mfr./Make/Model	Delivery A.R.O.	Comments
3	Curve Warning System, As Specified or Equal	20	EA						
TOTAL									

ITEM #1 – SOLAR CHEVRON RADAR SIGN, 30” X 36”, AS SPECIFIED OR EQUAL

COMPLIANCE
YES **NO**

DESCRIPTION:

Solar-powered sign assembly which alerts traffic to upcoming roadway curvature, including illuminated LEDs activated via radar detection.

SIGN ASSEMBLY:

Sign assembly shall be compatible with TAPCO® BlinkerSign interconnectivity.

Sign assembly shall conform to TAPCO-Integrated BlinkerSign® or equal and shall conform to TAPCO® drawing number 2180-00225DF, except the sign size shall be 30” W X 36” H.

Sign shall conform to Section 2A.08 of the Manual on Uniform Traffic Control Devices for Streets and Highways 2009 Edition (MUTCD), as it relates to retroreflectivity and illumination.

Sign face shall conform to designation W1-8L or W1-8R as described in Section 2C.09 of the MUTCD, except for 10 holes situated along the outline of the black chevron, of a size and shape appropriate for the display of light-emitting diodes (LEDs).

Sign shall measure 30” W x 36” H in accordance with MUTCD Table 2C-2.

Sign blanks shall be aluminum, with a thickness of 0.080”.

Sheeting used shall be 3M DG3 diamond grade, or approved equal, with anti-graffiti overlay.

Sign assembly shall include an LED string with 10 amber LEDs and 18” leads, fastened to the rear of the sign blank with aluminum wire channels, arranged in such a way that each LED can be seen through its own hole in the sign blank. This arrangement shall conform to TAPCO® drawing number 2180-00225DF.

All electronic wiring shall be protected with liquid-tight conduit, and all connections shall conform to an Ingress Protection rating of IP-65 or better.

CABINET:

NEMA 3R type certification.

The cabinet shall be made of 0.080” aluminum.

The cabinet shall have two tamper-resistant stainless steel hinges.

The cabinet shall have four stainless steel studs for various mounting bracket options including banding, U-bolt, wall-mount, square pole, and wood post.

ITEM #1 – SOLAR CHEVRON RADAR SIGN, 30” X 36”, AS SPECIFIED OR EQUAL (CONT’D)

COMPLIANCE
YES **NO**

CABINET: (CONT’D)

- The cabinet shall have replaceable #2 traffic lock with keys.
- The cabinet shall have screened vents on the side and door.
- The cabinet shall have screened drainage holes on the bottom.
- The cabinet shall have UV resistant labels applied to the exterior of the cabinet outlining model number, serial number, and date of manufacture, as well as any applicable regulatory information.
- All circuit components of the cabinet are attached or connected to a removable control panel for maintenance.
- The cabinet shall have a door mounted pouch containing system documents.
- The enclosure dimensions of the cabinet shall not exceed 12.5”W x 15”H x 9.9”D.

ROUND POLE BANDING BRACKET:

- The bracket shall be made of aluminum.
- The bracket shall fit 2 3/8” and larger, round poles.
- The hardware needed to mount the bracket to the cabinet shall be stainless steel and included.
- The hardware needed to mount to the bracket to a pole shall be banding up to 3/4” width (customer supplied). Worm drive clamp shall be included to assist in installation.
- There shall be 2 brackets per cabinet.
- The dimensions of the bracket shall not exceed 6.8”W x 3.7”H x 1.1”D.

SQUARE POLE BOLT-THROUGH BRACKET:

- The bracket shall be made of aluminum.
- The bracket shall fit 2” to 6” square poles.
- The hardware needed to mount the bracket to the cabinet shall be stainless steel and included.
- There shall be 2 brackets per cabinet.

ITEM #1 – SOLAR CHEVRON RADAR SIGN, 30” X 36”, AS SPECIFIED OR EQUAL (CONT'D)

COMPLIANCE
YES **NO**

MULTI-PURPOSE BRACKET:

- The bracket shall be made of aluminum.
- The bracket shall fit a 2 3/8” to 4 1/2” round pole, square wood post or wall mount.
- The hardware needed to mount the bracket to the cabinet shall be stainless steel and included.
- The hardware needed to mount to the bracket to a pole will be included:
 - Stainless steel U-bolts for round pole mount
 - Lag bolts for square wood mount
- There shall be 2 brackets per cabinet.
- The dimensions of the bracket shall not exceed 7”W x 7.2”H x 0.7”D.

CONTROLLER:

- The controller shall be an IBM® Workload Scheduler controller.
- The controller shall be 6V and 12VDC with a power indicator light.
- The controller shall have 2 digital inputs.
- The controller shall have 2 two-channel outputs (able to drive two warnings per output).
- The controller shall be programmable locally using a serial input (RS232) or remotely using a cellular modem.
- The controller shall have 24/7, Dusk ‘til Dawn, BlinkLink® Scheduling, Time Clock, and Custom input program activation options.
- The Controller shall have LED-Warning Control compatibility with BlinkerSign®, BlinkerBeacon™, and RRFB-XL2™.
- The controller shall have dimmable which will be:
 - Auto-adjustable via solar panel (6V systems)
 - Auto-adjustable via photocell sensor (12V systems)
- The controller shall include an internal system clock (with on-board battery backup) and provide options for activation scheduling, including user-programmable adjustments for Daylight Saving Time.
- The controller shall be capable of automatic brightness control.

ITEM #1 – SOLAR CHEVRON RADAR SIGN, 30” X 36”, AS SPECIFIED OR EQUAL (CONT’D)

COMPLIANCE
YES **NO**

CONTROLLER: (CONT’D)

The controller shall include an internal temperature monitor.

The controller shall be capable of operation within the temperature range of -40°F to 176°F (-40°C to 80°C).

The controller enclosure shall be conform to an Ingress Protection rating of IP-67 or better.

The dimensions of the controller enclosure shall not exceed 3.2”W x 3.7”H x 2.5”D.

WIRELESS RADIO:

The sign assembly shall include a BlinkerBeam® wireless radio for interconnectivity.

The radio shall be 6V and 12VDC with a power indicator light.

The radio shall have 1 digital input, micro USB.

The radio shall have 2 digital output lines, host serial lines for over the air serial.

The radio shall be programmable locally using USB port or front-mounted joystick.

The radio shall have a backlit LCD display with 4 lines at 21 characters per line.

The radio types for this radio shall be:

- Low Power Device Radio.
- Low Power Activation Radio.
- Standard Low Power Radio.
- Standard Medium Power Radio.
- Standard High Power Radio.

The radio shall have a connectivity to up to 16 devices on one network.

The frequency of the radio shall be license free 900 MHz frequency hopping spread spectrum with 10 different RF patterns to prevent interference between collocated radio systems.

The radio shall have a range up to 900 feet standard, or longer with optional antennas.

The color of the status LEDs shall be red, green, yellow, and amber.

The radio shall be FCC and ISED compliant.

ITEM #1 – SOLAR CHEVRON RADAR SIGN, 30” X 36” AS SPECIFIED OR EQUAL (CONT’D)

COMPLIANCE
YES **NO**

WIRELESS RADIO: (CONT’D)

The radio shall have optional outdoor antennas:

- Omni Whip
- Omni Dome
- Omni Base Station
- Yagi (for specific applications)

The radio shall operate in temperatures ranging from -40°F to 176°F (-40°C to 80°C) and in less than 90% relative humidity.

The dimensions of the radio shall not exceed 3.2”W x 3.7”H x 2.5”D.

SOLAR PANEL:

The solar panel shall be 55W.

The nominal voltage shall be 12V.

The open circuit voltage shall be 22.1V.

The short circuit current shall be 3.31A.

The maximum power voltage shall be 18.18V.

The maximum power current shall be 3.1A.

The solar panel shall have tempered glass.

The frame shall be anodized aluminum.

The solar panel shall be constructed with silicon cells encapsulated in double-layer EVA with a white polymer backing.

The solar panel shall weigh 14 lbs.

The solar panel shall be IP67 rated.

The solar panel shall have various options available for mounting hardware.

The operating temperature shall be -40°F to 194°F (-40°C to 90°C).

The dimensions of the solar panel shall not exceed 25”W x 26”H x 1.5”D.

ITEM #1 – SOLAR CHEVRON RADAR SIGN, 30” X 36”, AS SPECIFIED OR EQUAL (CONT'D)

<u>COMPLIANCE</u>	
<u>YES</u>	<u>NO</u>

TOP-OF-POLE BRACKET:

The bracket shall be aluminum.

The bracket shall fit a 4 ½” or 3” round pole.

The brackets hardware shall be set screws.

SIDE-OF-POLE BRACKET:

The bracket shall be aluminum.

The bracket is universal.

The bracket shall have mounting hardware that includes banding, U-Bolt, or bolt.

BATTERY:

The voltage of the battery shall be 12V.

The capacity at C/100 shall be 50Ah.

The vent of the battery shall be valve regulated.

The terminal type shall be I6.

The battery shall be non-spillable as defined by the Department of Transportation, International Commercial Airline Organization and International Airline Transport Association definitions.

The battery weight shall not exceed 32.23 lbs.

The dimensions of the battery shall not exceed 7.75”L x 6.49”W x 6.69”H.

The battery shall operate in a temperature range of -40°F to 176°F (-40°C to 80°C).

RADAR DETECTION:

The power input shall be 6 to 18V DC.

The Icc@ 12V DC shall be 4.5 mA (0.054 watts).

The radar RF out shall be 5 mW maximum.

The radar F center shall be 24.125 GHz or 24.200 GHz.

The pickup distance shall be up to 300 feet.

ITEM #1 – SOLAR CHEVRON RADAR SIGN, 30” X 36”, AS SPECIFIED OR EQUAL (CONT’D)

COMPLIANCE
YES **NO**

RADAR DETECTION: (CONT’D)

- The beam angle shall be 38° x 45°.
- The operating temperature shall be -40°F to 185°F (-40°C to 85°C).
- The beam polarization shall be linear.
- The serial port shall be RS232.
- The FCC ID shall be TIASS300.
- The dimensions of the radar shall not exceed 1.9”W x 2.1”H x 0.9”D

HEAVY DUTY POLE PACKAGE WITH ANCHOR BOLTS:

The domed pole cap shall be:

- Cast Aluminum
- Zinc Plated
- Fits 4 ½” outer diameter pole
- (3X) ¼” x ½” square head machine screws

The mounting brackets shall have:

- (2X) Z-bracket single sided round pole mounting bracket made of aluminum.
- (2X) 5/16” x 5/8” bolt and nut set.
- (2X) 5/16” x 1 ¾” bolt and nut set.

The round aluminum pole shall be: (10’ 373-10, 13’ 373-13, 15’ 373-15)

- Schedule 40 aluminum pole.
- 4 ¼” outer diameter
- One end threaded

The pedestal base shall be:

- Cast Aluminum
- Threaded Collar
- Have an aluminum access door.
- FHWA Certified
- Meets or exceeds AASHTO break-away requirements.

The bent anchor bolt shall be:

- (4X) ¾” x 18”, galvanized steel bent anchor (foundation bolt), nut and washer (for frost free areas).
- (4X) 1” x 42”, galvanized steel bent anchor (foundation bolt), nut and washer (for frost or snow-covered areas).

ITEM #1 – SOLAR CHEVRON RADAR SIGN, 30” X 36”, AS SPECIFIED OR EQUAL (CONT’D)

COMPLIANCE
YES **NO**

OPTIONS:

1A – Sign Assembly

Sign assembly shall be compatible with TAPCO® BlinkerSign interconnectivity.

Sign assembly shall conform to TAPCO-Integrated Blinkersign® or equal and shall conform to TAPCO® drawing number 2180-00225DF, except the sign size shall be 30” W X 36” H.

Sign shall conform to Section 2A.08 of the Manual on Uniform Traffic Control Devices for Streets and Highways 2009 Edition (MUTCD), as it relates to retroreflectivity and illumination.

Sign face shall conform to designation W1-8L or W1-8R as described in Section 2C.09 of the MUTCD, except for 10 holes situated along the outline of the black chevron, of a size and shape appropriate for the display of light-emitting diodes (LEDs).

Sign shall measure 30” W x 36” H in accordance with MUTCD Table 2C-2.

Sign blanks shall be aluminum, with a thickness of 0.080”.

Sheeting used shall be 3M DG3 diamond grade, or approved equal, with anti-graffiti overlay.

Sign assembly shall include an LED string with 10 amber LEDs and 18” leads, fastened to the rear of the sign blank with aluminum wire channels, arranged in such a way that each LED can be seen through its own hole in the sign blank. This arrangement shall conform to TAPCO® drawing number 2180-00225DF.

All electronic wiring shall be protected with liquid-tight conduit, and all connections shall conform to an Ingress Protection rating of IP-65 or better.

1B – Cabinet

NEMA 3R type certification.

The cabinet shall be made of 0.080” aluminum.

The cabinet shall have two tamper-resistant stainless steel hinges.

The cabinet shall have four stainless steel studs for various mounting bracket options including banding, U-bolt, wall-mount, square pole, and wood post.

The cabinet shall have replaceable #2 traffic lock with keys.

ITEM #1 – SOLAR CHEVRON RADAR SIGN, 30” X 36”, AS SPECIFIED OR EQUAL (CONT’D)

COMPLIANCE
YES **NO**

OPTIONS: (CONT’D)

1B – Cabinet (Cont’d)

- The cabinet shall have screened vents on the side and door.
- The cabinet shall have screened drainage holes on the bottom.
- The cabinet shall have UV resistant labels applied to the exterior of the cabinet outlining model number, serial number, and date of manufacture, as well as any applicable regulatory information.
- All circuit components of the cabinet are attached or connected to a removable control panel for maintenance.
- The cabinet shall have a door mounted pouch containing system documents.
- The enclosure dimensions of the cabinet shall not exceed 12.5”W x 15”H x 9.9”D.

1C – Round Pole Banding Bracket

- The bracket shall be made of aluminum.
- The bracket shall fit 2 3/8” and larger, round poles.
- The hardware needed to mount the bracket to the cabinet shall be stainless steel and included.
- The hardware needed to mount to the bracket to a pole shall be banding up to 3/4” width (customer supplied). Worm drive clamp shall be included to assist in installation.
- There shall be 2 brackets per cabinet.
- The dimensions of the bracket shall not exceed 6.8”W x 3.7”H x 1.1”D.

1D – Square Pole Bolt-Through Bracket

- The bracket shall be made of aluminum.
- The bracket shall fit 2” to 6” square poles.
- The hardware needed to mount the bracket to the cabinet shall be stainless steel and included.
- There shall be 2 brackets per cabinet.

ITEM #1 – SOLAR CHEVRON RADAR SIGN, 30” X 36”, AS SPECIFIED OR EQUAL (CONT’D)

COMPLIANCE
YES **NO**

OPTIONS: (CONT’D)

1E – Multi-Purpose Bracket

- The bracket shall be made of aluminum.
- The bracket shall fit a 2 3/8” to 4 1/2” round pole, square wood post or wall mount.
- The hardware needed to mount the bracket to the cabinet shall be stainless steel and included.
- The hardware needed to mount to the bracket to a pole will be included:
 - Stainless steel U-bolts for round pole mount
 - Lag bolts for square wood mount
- There shall be 2 brackets per cabinet.
- The dimensions of the bracket shall not exceed 7”W x 7.2”H x 0.7”D.

1F – Controller

- The controller shall be an IBM® Workload Scheduler controller.
- The controller shall be 6V and 12VDC with a power indicator light.
- The controller shall have 2 digital inputs.
- The controller shall have 2 two-channel outputs (able to drive two warnings per output).
- The controller shall be programmable locally using a serial input (RS232) or remotely using a cellular modem.
- The controller shall have 24/7, Dusk ‘til Dawn, BlinkLink® Scheduling, Time Clock, and Custom input program activation options.
- The Controller shall have LED-Warning Control compatibility with BlinkerSign®, BlinkerBeacon™, and RRFB-XL2™.
- The controller shall have dimmable which will be:
 - Auto-adjustable via solar panel (6V systems)
 - Auto-adjustable via photocell sensor (12V systems)
- The controller shall include an internal system clock (with on-board battery backup) and provide options for activation scheduling, including user-programmable adjustments for Daylight Saving Time.

ITEM #1 – SOLAR CHEVRON RADAR SIGN, 30” X 36”, AS SPECIFIED OR EQUAL (CONT’D)

COMPLIANCE
YES **NO**

OPTIONS: (CONT’D)

1F – Controller (Cont’d)

The controller shall be capable of automatic brightness control.

The controller shall include an internal temperature monitor.

The controller shall be capable of operation within the temperature range of -40°F to 176°F (-40°C to 80°C).

The controller enclosure shall be conform to an Ingress Protection rating of IP-67 or better.

The dimensions of the controller enclosure shall not exceed 3.2”W x 3.7”H x 2.5”D.

1G – Wireless Radio

The sign assembly shall include a BlinkerBeam® wireless radio for interconnectivity.

The radio shall be 6V and 12VDC with a power indicator light.

The radio shall have 1 digital input, micro USB.

The radio shall have 2 digital output lines, host serial lines for over the air serial.

The radio shall be programmable locally using USB port or front-mounted joystick.

The radio shall have a backlit LCD display with 4 lines at 21 characters per line.

The radio types for this radio shall be:

- Low Power Device Radio.
- Low Power Activation Radio.
- Standard Low Power Radio.
- Standard Medium Power Radio.
- Standard High Power Radio.

The radio shall have a connectivity to up to 16 devices on one network.

The frequency of the radio shall be license free 900 MHz frequency hopping spread spectrum with 10 different RF patterns to prevent interference between collocated radio systems.

The radio shall have a range up to 900 feet standard, or longer with optional antennas.

The color of the status LEDs shall be red, green, yellow, and amber.

ITEM #1 – SOLAR CHEVRON RADAR SIGN, 30” X 36”, AS SPECIFIED OR EQUAL (CONT’D)

COMPLIANCE
YES **NO**

OPTIONS: (CONT’D)

1G – Wireless Radio (Cont’d)

- | | | |
|---|--------------------------|--------------------------|
| The radio shall be FCC and ISED compliant. | <input type="checkbox"/> | <input type="checkbox"/> |
| The radio shall have optional outdoor antennas: | | |
| • Omni Whip | <input type="checkbox"/> | <input type="checkbox"/> |
| • Omni Dome | <input type="checkbox"/> | <input type="checkbox"/> |
| • Omni Base Station | <input type="checkbox"/> | <input type="checkbox"/> |
| • Yagi (for specific applications) | <input type="checkbox"/> | <input type="checkbox"/> |
| The radio shall operate in temperatures ranging from -40°F to 176°F (-40°C to 80°C) and in less than 90% relative humidity. | <input type="checkbox"/> | <input type="checkbox"/> |
| The dimensions of the radio shall not exceed 3.2”W x 3.7”H x 2.5”D. | <input type="checkbox"/> | <input type="checkbox"/> |

1H – Solar Panel

- | | | |
|--|--------------------------|--------------------------|
| The solar panel shall be 55W. | <input type="checkbox"/> | <input type="checkbox"/> |
| The nominal voltage shall be 12V. | <input type="checkbox"/> | <input type="checkbox"/> |
| The open circuit voltage shall be 22.1V. | <input type="checkbox"/> | <input type="checkbox"/> |
| The short circuit current shall be 3.31A. | <input type="checkbox"/> | <input type="checkbox"/> |
| The maximum power voltage shall be 18.18V. | <input type="checkbox"/> | <input type="checkbox"/> |
| The maximum power current shall be 3.1A. | <input type="checkbox"/> | <input type="checkbox"/> |
| The solar panel shall have tempered glass. | <input type="checkbox"/> | <input type="checkbox"/> |
| The frame shall be anodized aluminum. | <input type="checkbox"/> | <input type="checkbox"/> |
| The solar panel shall be constructed with silicon cells encapsulated in double-layer EVA with a white polymer backing. | <input type="checkbox"/> | <input type="checkbox"/> |
| The solar panel shall weigh 14 lbs. | <input type="checkbox"/> | <input type="checkbox"/> |
| The solar panel shall be IP67 rated. | <input type="checkbox"/> | <input type="checkbox"/> |
| The solar panel shall have various options available for mounting hardware. | <input type="checkbox"/> | <input type="checkbox"/> |
| The operating temperature shall be -40°F to 194°F (-40°C to 90°C). | <input type="checkbox"/> | <input type="checkbox"/> |

ITEM #1 – SOLAR CHEVRON RADAR SIGN, 30” X 36”, AS SPECIFIED OR EQUAL (CONT’D)

COMPLIANCE
YES **NO**

OPTIONS: (CONT’D)

1H – Solar Panel (Cont’d)

The dimensions of the solar panel shall not exceed 25”W x 26”H x 1.5”D.

1I – Top-Of-Pole Bracket

The bracket shall be aluminum.

The bracket shall fit a 4 ½” or 3” round pole.

The brackets hardware shall be set screws.

1J – Side-Of-Pole Bracket

The bracket shall be aluminum.

The bracket is universal.

The bracket shall have mounting hardware that includes banding, U-Bolt, or bolt.

1K – Battery

The voltage of the battery shall be 12V.

The capacity at C/100 shall be 50Ah.

The vent of the battery shall be valve regulated.

The terminal type shall be I6.

The battery shall be non-spillable as defined by the Department of Transportation, International Commercial Airline Organization and International Airline Transport Association definitions.

The battery weight shall not exceed 32.23 lbs.

The dimensions of the battery shall not exceed 7.75”L x 6.49”W x 6.69”H.

The battery shall operate in a temperature range of -40°F to 176°F (-40°C to 80°C).

ITEM #1 – SOLAR CHEVRON RADAR SIGN, 30” X 36”, AS SPECIFIED OR EQUAL (CONT’D)

COMPLIANCE
YES **NO**

OPTIONS: (CONT’D)

1L – Radar Detection

The power input shall be 6 to 18V DC.	<input type="checkbox"/>	<input type="checkbox"/>
The icc@ 12V DC shall be 4.5 mA (0.054 watts).	<input type="checkbox"/>	<input type="checkbox"/>
The radar RF out shall be 5 mW maximum.	<input type="checkbox"/>	<input type="checkbox"/>
The radar F center shall be 24.125 GHz or 24.200 GHz.	<input type="checkbox"/>	<input type="checkbox"/>
The pickup distance shall be up to 300 feet.	<input type="checkbox"/>	<input type="checkbox"/>
The beam angle shall be 38° x 45°.	<input type="checkbox"/>	<input type="checkbox"/>
The operating temperature shall be -40°F to 185°F (-40°C to 85°C).	<input type="checkbox"/>	<input type="checkbox"/>
The beam polarization shall be linear.	<input type="checkbox"/>	<input type="checkbox"/>
The serial port shall be RS232.	<input type="checkbox"/>	<input type="checkbox"/>
The FCC ID shall be TIASS300.	<input type="checkbox"/>	<input type="checkbox"/>
The dimensions of the radar shall not exceed 1.9”W x 2.1”H x 0.9”D	<input type="checkbox"/>	<input type="checkbox"/>

1M – Heavy Duty Pole Package With Anchor Bolts

The domed pole cap shall be:

- Cast Aluminum
- Zinc Plated
- Fits 4 ½” outer diameter pole
- (3X) ¼” x ½” square head machine screws

The mounting brackets shall have:

- (2X) Z-bracket single sided round pole mounting bracket made of aluminum.
- (2X) 5/16” x 5/8” bolt and nut set.
- (2X) 5/16” x 1 ¾” bolt and nut set.

The round aluminum pole shall be: (10’ 373-10, 13’ 373-13, 15’ 373-15)

- Schedule 40 aluminum pole.
- 4 ¼” outer diameter
- One end threaded

ITEM #1 – SOLAR CHEVRON RADAR SIGN, 30” X 36”, AS SPECIFIED OR EQUAL (CONT’D)

COMPLIANCE
YES **NO**

OPTIONS: (CONT’D)

1M – Heavy Duty Pole Package With Anchor Bolts (Cont’d)

The pedestal base shall be:

- Cast Aluminum
- Threaded Collar
- Have an aluminum access door.
- FHWA Certified
- Meets or exceeds AASHTO break-away requirements.

The bent anchor bolt shall be:

- (4X) 3/4” x 18”, galvanized steel bent anchor (foundation bolt), nut and washer (for frost free areas).
- (4X) 1” x 42”, galvanized steel bent anchor (foundation bolt), nut and washer (for frost or snow-covered areas).

ITEM #2 – SOLAR CHEVRON RADAR SIGN, 30” X 36”, RUGGEDIZED, AS SPECIFIED OR EQUAL

	<u>COMPLIANCE</u>	
	<u>YES</u>	<u>NO</u>
<u>DESCRIPTION:</u>		
Ruggedized solar-powered sign assembly which alerts traffic to upcoming roadway curvature, including illuminated LEDs activated via radar detection.	<input type="checkbox"/>	<input type="checkbox"/>
SIGN ASSEMBLY:		
Sign assembly shall be compatible with TAPCO® BlinkerSign interconnectivity.	<input type="checkbox"/>	<input type="checkbox"/>
Sign assembly shall conform to TAPCO-Integrated Blinkersign® - Ruggedized specifications or equal and shall conform to TAPCO® drawing number 30R011 except the sign size shall be 30” W x 36” H.	<input type="checkbox"/>	<input type="checkbox"/>
Sign shall conform to Section 2A.08 of the Manual on Uniform Traffic Control Devices for Streets and Highways 2009 Edition (MUTCD), as it relates to retroreflectivity and illumination.	<input type="checkbox"/>	<input type="checkbox"/>
Sign face shall conform to designation W1-8L or W1-8R as described in Section 2C.09 of the MUTCD, except for 10 holes situated along the outline of the black chevron, of a size and shape appropriate for the display of light-emitting diodes (LEDs).	<input type="checkbox"/>	<input type="checkbox"/>
Sign shall measure 30” W x 36” H in accordance with MUTCD Table 2C-2.	<input type="checkbox"/>	<input type="checkbox"/>
Sign substrate shall consist of extra thick 0.10” aluminum front plate and standard 0.080” aluminum back plate. An extra thick 0.750” HDPE substrate with routed enclosure channels High Density Polyethylene substrate shall be between the front and back plates.	<input type="checkbox"/>	<input type="checkbox"/>
Sheeting used shall be 3M DG3 diamond grade, or approved equal, with anti-graffiti overlay.	<input type="checkbox"/>	<input type="checkbox"/>
Sign shall have environmentally sealed, high power 1 watt LEDs which have a life expectancy of 100,000 hours.	<input type="checkbox"/>	<input type="checkbox"/>
Sign assembly shall include an LED string with 10 amber LEDs and 18” leads, fastened to the rear of the sign blank with aluminum wire channels, arranged in such a way that each LED can be seen through its own hole in the sign blank. This arrangement shall conform to TAPCO® drawing number 30R011.	<input type="checkbox"/>	<input type="checkbox"/>
All electronic wiring shall be protected with liquid-tight conduit, and all connections shall conform to an Ingress Protection rating of IP-65 or better.	<input type="checkbox"/>	<input type="checkbox"/>
Sign shall be visible for more than 1,000 feet in the daytime and for more than 1 mile in the nighttime.	<input type="checkbox"/>	<input type="checkbox"/>
Sign shall have Z-bar standard, single post and double post mounting brackets.	<input type="checkbox"/>	<input type="checkbox"/>

ITEM #2 – SOLAR CHEVRON RADAR SIGN, 30” X 36”, RUGGEDIZED, AS SPECIFIED OR EQUAL (CONT’D)

COMPLIANCE

YES **NO**

SIGN ASSEMBLY: (CONT’D)

Sign shall be capable of operating in temperature that range from -40°F to 122°F (-40°C to 50°C).

CABINET:

NEMA 3R type certification.

The cabinet shall be made of 0.080” aluminum.

The cabinet shall have two tamper-resistant stainless steel hinges.

The cabinet shall have four stainless steel studs for various mounting bracket options including banding, U-bolt, wall-mount, square pole, and wood post.

The cabinet shall have replaceable #2 traffic lock with keys.

The cabinet shall have screened vents on the side and door.

The cabinet shall have screened drainage holes on the bottom.

The cabinet shall have UV resistant labels applied to the exterior of the cabinet outlining model number, serial number, and date of manufacture, as well as any applicable regulatory information.

All circuit components of the cabinet are attached or connected to a removable control panel for maintenance.

The cabinet shall have a door mounted pouch containing system documents.

The enclosure dimensions of the cabinet shall not exceed 12.5”W x 15”H x 9.9”D.

ROUND POLE BANDING BRACKET:

The bracket shall be made of aluminum.

The bracket shall fit 2 3/8” and larger, round poles.

The hardware needed to mount the bracket to the cabinet shall be stainless steel and included.

The hardware needed to mount to the bracket to a pole shall be banding up to 3/4” width (customer supplied). Worm drive clamp shall be included to assist in installation.

ITEM #2 – SOLAR CHEVRON RADAR SIGN, 30” X 36”, RUGGEDIZED, AS SPECIFIED OR EQUAL (CONT’D)

COMPLIANCE
YES **NO**

ROUND POLE BANDING BRACKET: (CONT’D)

There shall be 2 brackets per cabinet.

The dimensions of the bracket shall not exceed 6.8”W x 3.7”H x 1.1”D.

SQUARE POLE BOLT-THROUGH BRACKET:

The bracket shall be made of aluminum.

The bracket shall fit 2” to 6” square poles.

The hardware needed to mount the bracket to the cabinet shall be stainless steel and included.

There shall be 2 brackets per cabinet.

MULTI-PURPOSE BRACKET:

The bracket shall be made of aluminum.

The bracket shall fit a 2 3/8” to 4 1/2” round pole, square wood post or wall mount.

The hardware needed to mount the bracket to the cabinet shall be stainless steel and included.

The hardware needed to mount to the bracket to a pole will be included:

- Stainless steel U-bolts for round pole mount
- Lag bolts for square wood mount

There shall be 2 brackets per cabinet.

The dimensions of the bracket shall not exceed 7”W x 7.2”H x 0.7”D.

CONTROLLER:

The controller shall be an IBM® Workload Scheduler controller.

The controller shall be 6V and 12VDC with a power indicator light.

The controller shall have 2 digital inputs.

The controller shall have 2 two-channel outputs (able to drive two warnings per output).

ITEM #2 – SOLAR CHEVRON RADAR SIGN, 30” X 36”, RUGGEDIZED, AS SPECIFIED OR EQUAL (CONT’D)

COMPLIANCE
YES **NO**

CONTROLLER: (CONT’D)

The controller shall be programmable locally using a serial input (RS232) or remotely using a cellular modem.

The controller shall have 24/7, Dusk ‘til Dawn, BlinkLink® Scheduling, Time Clock, and Custom input program activation options.

The Controller shall have LED-Warning Control compatibility with BlinkerSign®, BlinkerBeacon™, and RRFB-XL2™.

The controller shall have dimmable which will be:

- Auto-adjustable via solar panel (6V systems)
- Auto-adjustable via photocell sensor (12V systems)

The controller shall include an internal system clock (with on-board battery backup) and provide options for activation scheduling, including user-programmable adjustments for Daylight Saving Time.

The controller shall be capable of automatic brightness control.

The controller shall include an internal temperature monitor.

The controller shall be capable of operation within the temperature range of -40°F to 176°F (-40°C to 80°C).

The controller enclosure shall be conform to an Ingress Protection rating of IP-67 or better.

The dimensions of the controller enclosure shall not exceed 3.2”W x 3.7”H x 2.5”D.

WIRELESS RADIO:

The sign assembly shall include a BlinkerBeam® wireless radio for interconnectivity.

The radio shall be 6V and 12VDC with a power indicator light.

The radio shall have 1 digital input, micro USB.

The radio shall have 2 digital output lines, host serial lines for over the air serial.

The radio shall be programmable locally using USB port or front-mounted joystick.

The radio shall have a backlit LCD display with 4 lines at 21 characters per line.

ITEM #2 – SOLAR CHEVRON RADAR SIGN, 30” X 36”, RUGGEDIZED, AS SPECIFIED OR EQUAL (CONT’D)

COMPLIANCE
YES **NO**

WIRELESS RADIO: (CONT’D)

The radio types for this radio shall be:

- Low Power Device Radio.
- Low Power Activation Radio.
- Standard Low Power Radio.
- Standard Medium Power Radio.
- Standard High Power Radio.

The radio shall have a connectivity to up to 16 devices on one network.

The frequency of the radio shall be license free 900 MHz frequency hopping spread spectrum with 10 different RF patterns to prevent interference between collocated radio systems.

The radio shall have a range up to 900 feet standard, or longer with optional antennas.

The color of the status LEDs shall be red, green, yellow, and amber.

The radio shall be FCC and ISED compliant.

The radio shall have optional outdoor antennas:

- Omni Whip
- Omni Dome
- Omni Base Station
- Yagi (for specific applications)

The radio shall operate in temperatures ranging from -40°F to 176°F (-40°C to 80°C) and in less than 90% relative humidity.

The dimensions of the radio shall not exceed 3.2”W x 3.7”H x 2.5”D.

SOLAR PANEL:

The solar panel shall be 55W.

The nominal voltage shall be 12V.

The open circuit voltage shall be 22.1V.

The short circuit current shall be 3.31A.

The maximum power voltage shall be 18.18V.

ITEM #2 – SOLAR CHEVRON RADAR SIGN, 30” X 36”, RUGGEDIZED, AS SPECIFIED OR EQUAL (CONT’D)

COMPLIANCE
YES **NO**

SOLAR PANEL: (CONT’D)

- The maximum power current shall be 3.1A.
- The solar panel shall have tempered glass.
- The frame shall be anodized aluminum.
- The solar panel shall be constructed with silicon cells encapsulated in double-layer EVA with a white polymer backing.
- The solar panel shall weigh 14 lbs.
- The solar panel shall be IP67 rated.
- The solar panel shall have various options available for mounting hardware.
- The operating temperature shall be -40°F to 194°F (-40°C to 90°C).
- The dimensions of the solar panel shall not exceed 25”W x 26”H x 1.5”D.

TOP-OF-POLE BRACKET:

- The bracket shall be aluminum.
- The bracket shall fit a 4 ½” or 3” round pole.
- The brackets hardware shall be set screws.

SIDE-OF-POLE BRACKET:

- The bracket shall be aluminum.
- The bracket is universal.
- The bracket shall have mounting hardware that includes banding, U-Bolt, or bolt.

BATTERY:

- The voltage of the battery shall be 12V.
- The capacity at C/100 shall be 50Ah.
- The vent of the battery shall be valve regulated.
- The terminal type shall be I6.

ITEM #2 – SOLAR CHEVRON RADAR SIGN, 30” X 36”, RUGGEDIZED, AS SPECIFIED OR EQUAL (CONT’D)

COMPLIANCE
YES **NO**

BATTERY: (CONT’D)

The battery shall be non-spillable as defined by the Department of Transportation, International Commercial Airline Organization and International Airline Transport Association definitions.

The battery weight shall not exceed 32.23 lbs.

The dimensions of the battery shall not exceed 7.75”L x 6.49”W x 6.69”H.

The battery shall operate in a temperature range of -40°F to 176°F (-40°C to 80°C).

RADAR DETECTION:

The power input shall be 6 to 18V DC.

The icc@ 12V DC shall be 4.5 mA (0.054 watts).

The radar RF out shall be 5 mW maximum.

The radar F center shall be 24.125 GHz or 24.200 GHz.

The pickup distance shall be up to 300 feet.

The beam angle shall be 38° x 45°.

The operating temperature shall be -40°F to 185°F (-40°C to 85°C).

The beam polarization shall be linear.

The serial port shall be RS232.

The FCC ID shall be TIASS300.

The dimensions of the radar shall not exceed 1.9”W x 2.1”H x 0.9”D

HEAVY DUTY POLE PACKAGE WITH ANCHOR BOLTS:

The domed pole cap shall be:

- Cast Aluminum
- Zinc Plated
- Fits 4 ½” outer diameter pole
- (3X) ¼” x ½” square head machine screws

ITEM #2 – SOLAR CHEVRON RADAR SIGN, 30” X 36”, RUGGEDIZED, AS SPECIFIED OR EQUAL (CONT’D)

COMPLIANCE
YES **NO**

HEAVY DUTY POLE PACKAGE WITH ANCHOR BOLTS: (CONT’D)

The mounting brackets shall have:

- (2X) Z-bracket single sided round pole mounting bracket made of aluminum.
- (2X) 5/16” x 5/8” bolt and nut set.
- (2X) 5/16” x 1 3/4” bolt and nut set.

The round aluminum pole shall be: (10’ 373-10, 13’ 373-13, 15’ 373-15)

- Schedule 40 aluminum pole.
- 4 1/4” outer diameter
- One end threaded

The pedestal base shall be:

- Cast Aluminum
- Threaded Collar
- Have an aluminum access door.
- FHWA Certified
- Meets or exceeds AASHTO break-away requirements.

The bent anchor bolt shall be:

- (4X) 3/4” x 18”, galvanized steel bent anchor (foundation bolt), nut and washer (for frost free areas).
- (4X) 1” x 42”, galvanized steel bent anchor (foundation bolt), nut and washer (for frost or snow-covered areas).

OPTIONS:

2A – Sign Assembly

Sign assembly shall be compatible with TAPCO® Blinkersign interconnectivity.

Sign assembly shall conform to TAPCO-Integrated Blinkersign® - Ruggedized specifications or equal and shall conform to TAPCO® drawing number 30R011 except the sign size shall be 30” W x 36” H.

Sign shall conform to Section 2A.08 of the Manual on Uniform Traffic Control Devices for Streets and Highways 2009 Edition (MUTCD), as it relates to retroreflectivity and illumination.

Sign face shall conform to designation W1-8L or W1-8R as described in Section 2C.09 of the MUTCD, except for 10 holes situated along the outline of the black chevron, of a size and shape appropriate for the display of light-emitting diodes (LEDs).

Sign shall measure 30” W x 36” H in accordance with MUTCD Table 2C-2.

ITEM #2 – SOLAR CHEVRON RADAR SIGN, 30” X 36”, RUGGEDIZED, AS SPECIFIED OR EQUAL (CONT’D)

COMPLIANCE
YES **NO**

OPTIONS:

2A – Sign Assembly (Cont’d)

Sign substrate shall consist of extra thick 0.10” aluminum front plate and standard 0.080” aluminum back plate. An extra thick 0.750” HDPE substrate with routed enclosure channels High Density Polyethylene substrate shall be between the front and back plates.

Sheeting used shall be 3M DG3 diamond grade, or approved equal, with anti-graffiti overlay.

Sign shall have environmentally sealed, high power 1 watt LEDs which have a life expectancy of 100,000 hours.

Sign assembly shall include an LED string with 10 amber LEDs and 18” leads, fastened to the rear of the sign blank with aluminum wire channels, arranged in such a way that each LED can be seen through its own hole in the sign blank. This arrangement shall conform to TAPCO® drawing number 30R011.

All electronic wiring shall be protected with liquid-tight conduit, and all connections shall conform to an Ingress Protection rating of IP-65 or better.

Sign shall be visible for more than 1,000 feet in the daytime and for more than 1 mile in the nighttime.

Sign shall have Z-bar standard, single post and double post mounting brackets.

Sign shall be capable of operating in temperature that range from -40°F to 122°F (-40°C to 50°C).

2B – Cabinet

NEMA 3R type certification.

The cabinet shall be made of 0.080” aluminum.

The cabinet shall have two tamper-resistant stainless steel hinges.

The cabinet shall have four stainless steel studs for various mounting bracket options including banding, U-bolt, wall-mount, square pole, and wood post.

The cabinet shall have replaceable #2 traffic lock with keys.

The cabinet shall have screened vents on the side and door.

ITEM #2 – SOLAR CHEVRON RADAR SIGN, 30” X 36”, RUGGEDIZED, AS SPECIFIED OR EQUAL (CONT’D)

COMPLIANCE
YES **NO**

OPTIONS: (CONT’D)

2B – Cabinet (Cont’d)

- The cabinet shall have screened drainage holes on the bottom.
- The cabinet shall have UV resistant labels applied to the exterior of the cabinet outlining model number, serial number, and date of manufacture, as well as any applicable regulatory information.
- All circuit components of the cabinet are attached or connected to a removable control panel for maintenance.
- The cabinet shall have a door mounted pouch containing system documents.
- The enclosure dimensions of the cabinet shall not exceed 12.5”W x 15”H x 9.9”D.

2C – Round Pole Banding Bracket

- The bracket shall be made of aluminum.
- The bracket shall fit 2 3/8” and larger, round poles.
- The hardware needed to mount the bracket to the cabinet shall be stainless steel and included.
- The hardware needed to mount to the bracket to a pole shall be banding up to 3/4” width (customer supplied). Worm drive clamp shall be included to assist in installation.
- There shall be 2 brackets per cabinet.
- The dimensions of the bracket shall not exceed 6.8”W x 3.7”H x 1.1”D.

2D – Square Pole Bolt-Through Bracket

- The bracket shall be made of aluminum.
- The bracket shall fit 2” to 6” square poles.
- The hardware needed to mount the bracket to the cabinet shall be stainless steel and included.
- There shall be 2 brackets per cabinet.

ITEM #2 – SOLAR CHEVRON RADAR SIGN, 30” X 36”, RUGGEDIZED, AS SPECIFIED OR EQUAL (CONT’D)

COMPLIANCE
YES **NO**

OPTIONS: (CONT’D)

2E – Multi-Purpose Bracket

The bracket shall be made of aluminum.	<input type="checkbox"/>	<input type="checkbox"/>
The bracket shall fit a 2 3/8” to 4 1/2” round pole, square wood post or wall mount.	<input type="checkbox"/>	<input type="checkbox"/>
The hardware needed to mount the bracket to the cabinet shall be stainless steel and included.	<input type="checkbox"/>	<input type="checkbox"/>
The hardware needed to mount to the bracket to a pole will be included:		
• Stainless steel U-bolts for round pole mount	<input type="checkbox"/>	<input type="checkbox"/>
• Lag bolts for square wood mount	<input type="checkbox"/>	<input type="checkbox"/>
There shall be 2 brackets per cabinet.	<input type="checkbox"/>	<input type="checkbox"/>
The dimensions of the bracket shall not exceed 7”W x 7.2”H x 0.7”D.	<input type="checkbox"/>	<input type="checkbox"/>

2F – Controller

The controller shall be an IBM® Workload Scheduler controller.	<input type="checkbox"/>	<input type="checkbox"/>
The controller shall be 6V and 12VDC with a power indicator light.	<input type="checkbox"/>	<input type="checkbox"/>
The controller shall have 2 digital inputs.	<input type="checkbox"/>	<input type="checkbox"/>
The controller shall have 2 two-channel outputs (able to drive two warnings per output).	<input type="checkbox"/>	<input type="checkbox"/>
The controller shall be programmable locally using a serial input (RS232) or remotely using a cellular modem.	<input type="checkbox"/>	<input type="checkbox"/>
The controller shall have 24/7, Dusk ‘til Dawn, BlinkLink® Scheduling, Time Clock, and Custom input program activation options.	<input type="checkbox"/>	<input type="checkbox"/>
The Controller shall have LED-Warning Control compatibility with BlinkerSign®, BlinkerBeacon™, and RRFB-XL2™.	<input type="checkbox"/>	<input type="checkbox"/>
The controller shall have dimmable which will be:		
• Auto-adjustable via solar panel (6V systems)	<input type="checkbox"/>	<input type="checkbox"/>
• Auto-adjustable via photocell sensor (12V systems)	<input type="checkbox"/>	<input type="checkbox"/>
The controller shall include an internal system clock (with on-board battery backup) and provide options for activation scheduling, including user-programmable adjustments for Daylight Saving Time.	<input type="checkbox"/>	<input type="checkbox"/>

ITEM #2 – SOLAR CHEVRON RADAR SIGN, 30” X 36”, RUGGEDIZED, AS SPECIFIED OR EQUAL (CONT’D)

COMPLIANCE
YES **NO**

OPTIONS: (CONT’D)

2F – Controller (Cont’d)

The controller shall be capable of automatic brightness control.

The controller shall include an internal temperature monitor.

The controller shall be capable of operation within the temperature range of -40°F to 176°F (-40°C to 80°C).

The controller enclosure shall be conform to an Ingress Protection rating of IP-67 or better.

The dimensions of the controller enclosure shall not exceed 3.2”W x 3.7”H x 2.5”D.

2G – Wireless Radio

The sign assembly shall include a BlinkerBeam® wireless radio for interconnectivity.

The radio shall be 6V and 12VDC with a power indicator light.

The radio shall have 1 digital input, micro USB.

The radio shall have 2 digital output lines, host serial lines for over the air serial.

The radio shall be programmable locally using USB port or front-mounted joystick.

The radio shall have a backlit LCD display with 4 lines at 21 characters per line.

The radio types for this radio shall be:

- Low Power Device Radio.
- Low Power Activation Radio.
- Standard Low Power Radio.
- Standard Medium Power Radio.
- Standard High Power Radio.

The radio shall have a connectivity to up to 16 devices on one network.

The frequency of the radio shall be license free 900 MHz frequency hopping spread spectrum with 10 different RF patterns to prevent interference between collocated radio systems.

The radio shall have a range up to 900 feet standard, or longer with optional antennas.

ITEM #2 – SOLAR CHEVRON RADAR SIGN, 30” X 36”, RUGGEDIZED, AS SPECIFIED OR EQUAL (CONT’D)

COMPLIANCE
YES **NO**

OPTIONS: (CONT’D)

2G – Wireless Radio (Cont’d)

The color of the status LEDs shall be red, green, yellow, and amber.

The radio shall be FCC and ISED compliant.

The radio shall have optional outdoor antennas:

- Omni Whip
- Omni Dome
- Omni Base Station
- Yagi (for specific applications)

The radio shall operate in temperatures ranging from -40°F to 176°F (-40°C to 80°C) and in less than 90% relative humidity.

The dimensions of the radio shall not exceed 3.2”W x 3.7”H x 2.5”D.

2H – Solar Panel

The solar panel shall be 55W.

The nominal voltage shall be 12V.

The open circuit voltage shall be 22.1V.

The short circuit current shall be 3.31A.

The maximum power voltage shall be 18.18V.

The maximum power current shall be 3.1A.

The solar panel shall have tempered glass.

The frame shall be anodized aluminum.

The solar panel shall be constructed with silicon cells encapsulated in double-layer EVA with a white polymer backing.

The solar panel shall weigh 14 lbs.

The solar panel shall be IP67 rated.

The solar panel shall have various options available for mounting hardware.

ITEM #2 – SOLAR CHEVRON RADAR SIGN, 30” X 36”, RUGGEDIZED, AS SPECIFIED OR EQUAL (CONT’D)

COMPLIANCE
YES **NO**

OPTIONS: (CONT’D)

2H – Solar Panel (Cont’d)

The operating temperature shall be -40°F to 194°F (-40°C to 90°C).

The dimensions of the solar panel shall not exceed 25”W x 26”H x 1.5”D.

2I – Top-Of-Pole Bracket

The bracket shall be aluminum.

The bracket shall fit a 4 ½” or 3” round pole.

The brackets hardware shall be set screws.

2J – Side-Of-Pole Bracket

The bracket shall be aluminum.

The bracket is universal.

The bracket shall have mounting hardware that includes banding, U-Bolt, or bolt.

2K – Battery

The voltage of the battery shall be 12V.

The capacity at C/100 shall be 50Ah.

The vent of the battery shall be valve regulated.

The terminal type shall be I6.

The battery shall be non-spillable as defined by the Department of Transportation, International Commercial Airline Organization and International Airline Transport Association definitions.

The battery weight shall not exceed 32.23 lbs.

The dimensions of the battery shall not exceed 7.75”L x 6.49”W x 6.69”H.

The battery shall operate in a temperature range of -40°F to 176°F (-40°C to 80°C).

ITEM #2 – SOLAR CHEVRON RADAR SIGN, 30” X 36”, RUGGEDIZED, AS SPECIFIED OR EQUAL (CONT’D)

COMPLIANCE
YES **NO**

OPTIONS: (CONT’D)

2L – Radar Detection

- The power input shall be 6 to 18V DC.
- The icc@ 12V DC shall be 4.5 mA (0.054 watts).
- The radar RF out shall be 5 mW maximum.
- The radar F center shall be 24.125 GHz or 24.200 GHz.
- The pickup distance shall be up to 300 feet.
- The beam angle shall be 38° x 45°.
- The operating temperature shall be -40°F to 185°F (-40°C to 85°C).
- The beam polarization shall be linear.
- The serial port shall be RS232.
- The FCC ID shall be TIASS300.
- The dimensions of the radar shall not exceed 1.9”W x 2.1”H x 0.9”D

2M – Heavy Duty Pole Package With Anchor Bolts

The domed pole cap shall be:

- Cast Aluminum
- Zinc Plated
- Fits 4 ½” outer diameter pole
- (3X) ¼” x ½” square head machine screws

The mounting brackets shall have:

- (2X) Z-bracket single sided round pole mounting bracket made of aluminum.
- (2X) 5/16” x 5/8” bolt and nut set.
- (2X) 5/16” x 1 ¾” bolt and nut set.

The round aluminum pole shall be: (10’ 373-10, 13’ 373-13, 15’ 373-15)

- Schedule 40 aluminum pole.
- 4 ¼” outer diameter
- One end threaded

ITEM #2 – SOLAR CHEVRON RADAR SIGN, 30” X 36”, RUGGEDIZED, AS SPECIFIED OR EQUAL (CONT’D)

COMPLIANCE
YES **NO**

OPTIONS: (CONT’D)

2M – Heavy Duty Pole Package With Anchor Bolts (Cont’d)

The pedestal base shall be:

- | | | |
|--|--------------------------|--------------------------|
| • Cast Aluminum | <input type="checkbox"/> | <input type="checkbox"/> |
| • Threaded Collar | <input type="checkbox"/> | <input type="checkbox"/> |
| • Have an aluminum access door. | <input type="checkbox"/> | <input type="checkbox"/> |
| • FHWA Certified | <input type="checkbox"/> | <input type="checkbox"/> |
| • Meets or exceeds AASHTO break-away requirements. | <input type="checkbox"/> | <input type="checkbox"/> |

The bent anchor bolt shall be:

- | | | |
|--|--------------------------|--------------------------|
| • (4X) 3/4” x 18”, galvanized steel bent anchor (foundation bolt), nut and washer (for frost free areas). | <input type="checkbox"/> | <input type="checkbox"/> |
| • (4X) 1” x 42”, galvanized steel bent anchor (foundation bolt), nut and washer (for frost or snow-covered areas). | <input type="checkbox"/> | <input type="checkbox"/> |

ITEM #3 – CURVE WARNING SYSTEM, AS SPECIFIED OR EQUAL

COMPLIANCE

YES **NO**

DESCRIPTION:

Solar powered chevron sign retrofit that outlines the standard chevron sign legend with LEDs.

SIGN RETROFIT:

Sign retrofit shall conform to TrafficCalm® Curve Warning System, Flashing Sign System.

FLUSH MOUNT LED FLASHER RINGS:

Size – Standard Chevron Legend Size for 30” x 36” sign size. Reference MUTCD. 0.08” 5052 grade, black powder coated aluminum.

Mounting – Bolt-Mounting directly to sign and post.

LEDs – Amber (590 nM): 15 degree cone view; Rated 100,000 hours; 2.4K CDA/M², Auto Dimming Employed

Power – 10V to 18V, OW standby or OFF (No power required)

Flash Patterns – 50 – 60 flashes per minute; 50% Duty Cycle. Additional alternative flash patterns available and are user programmable.

Dimming – 100 levels as determined by solar panel illumination or light sensor (AC).

RADAR:

3.75” W X 2.5” H X 2.25” D

Weatherproof NEMA 4 enclosure.

K-band (24.15GHz)

Average Range – 1,000’ / 305m

CONTROLLER / COLLABATOR UNIT – SOLAR:

Weight with Battery – 20W = 25 lbs (11.3 kg) 30 Watt = 28 lbs (12.7 kg) excluding poles

Voltage – 12VDC Nominal

Charger – Smart solar charger 14.6VDC, 28W temperature protected

ITEM #3 – CURVE WARNING SYSTEM, AS SPECIFIED OR EQUAL (CONT'D)

COMPLIANCE

YES **NO**

CONTROLLER / COLLABATOR UNIT – SOLAR: (CONT'D)

Communications – Wireless Meshnet integration (device 2 device, +1,000ft range, repeatable signal, configurable network ID, AES-128 Encryption security, DSSS transmission on selectable channels)

Battery Reserve – 28 days at standard load (standard load = 25% activations per day with a single flasher ring) with no sunlight

Isolation Required – 2 hours of good sunlight each day at standard load

Panel Supplied – 20W, 30W, 50W, and 60W available

Outputs – 2 chevrons at 10W each

Enclosure Rating – NEMA 4

Mounting – Universal Pole Mount included (Optional Top of Pole and Side of Pole extension mounts available)

SYSTEM OPERATING TEMPERATURE RANGE:

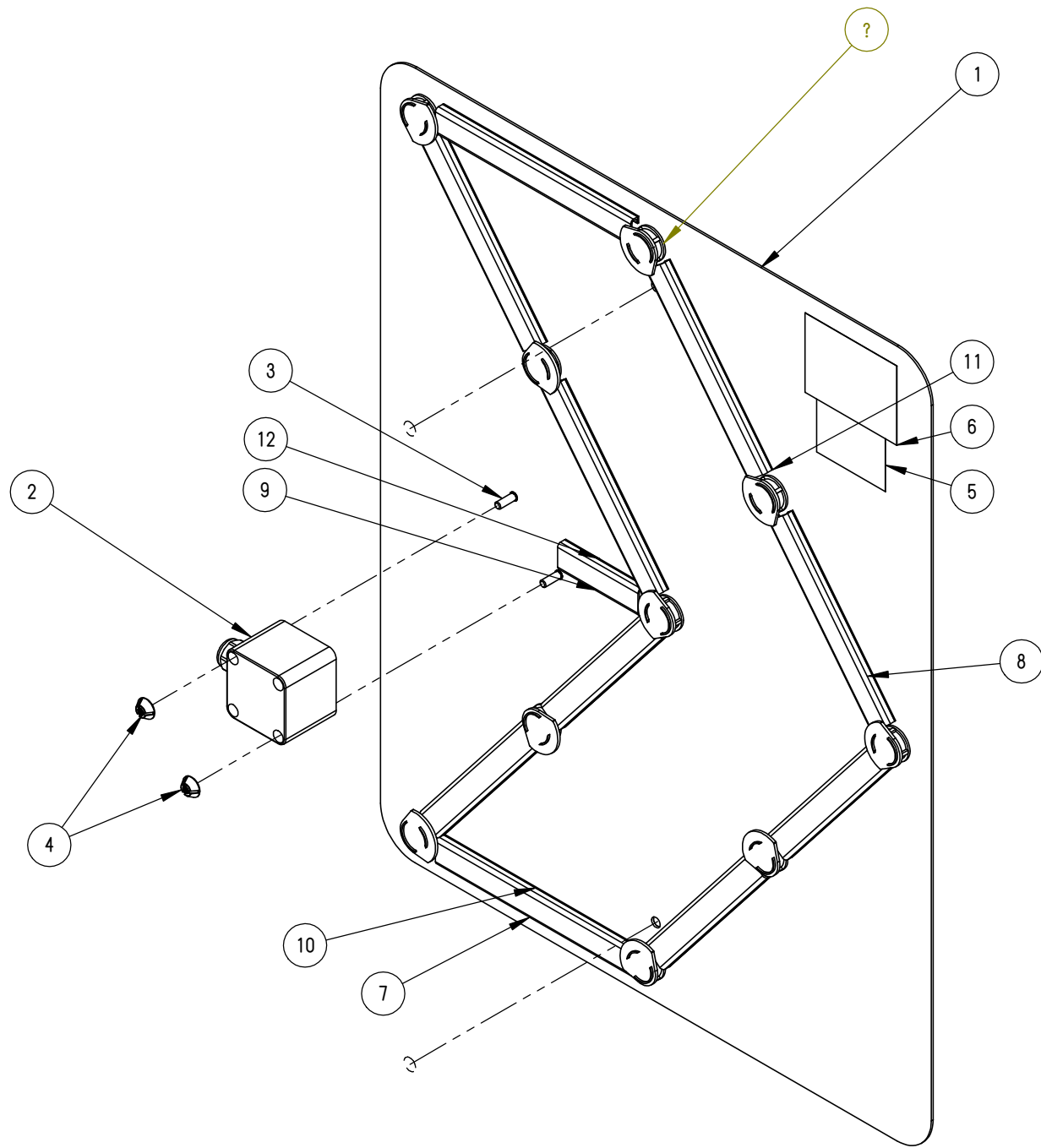
Components: -40°C to +74°C

Battery: -40°C to +60°C (Low Temp “E” Variation required)

8 7 6 5 4 3 2 1

REVISIONS				
REV.	DESCRIPTION	DATE	CC #	AUTHOR/APPROVED
A				

D
C
B
A



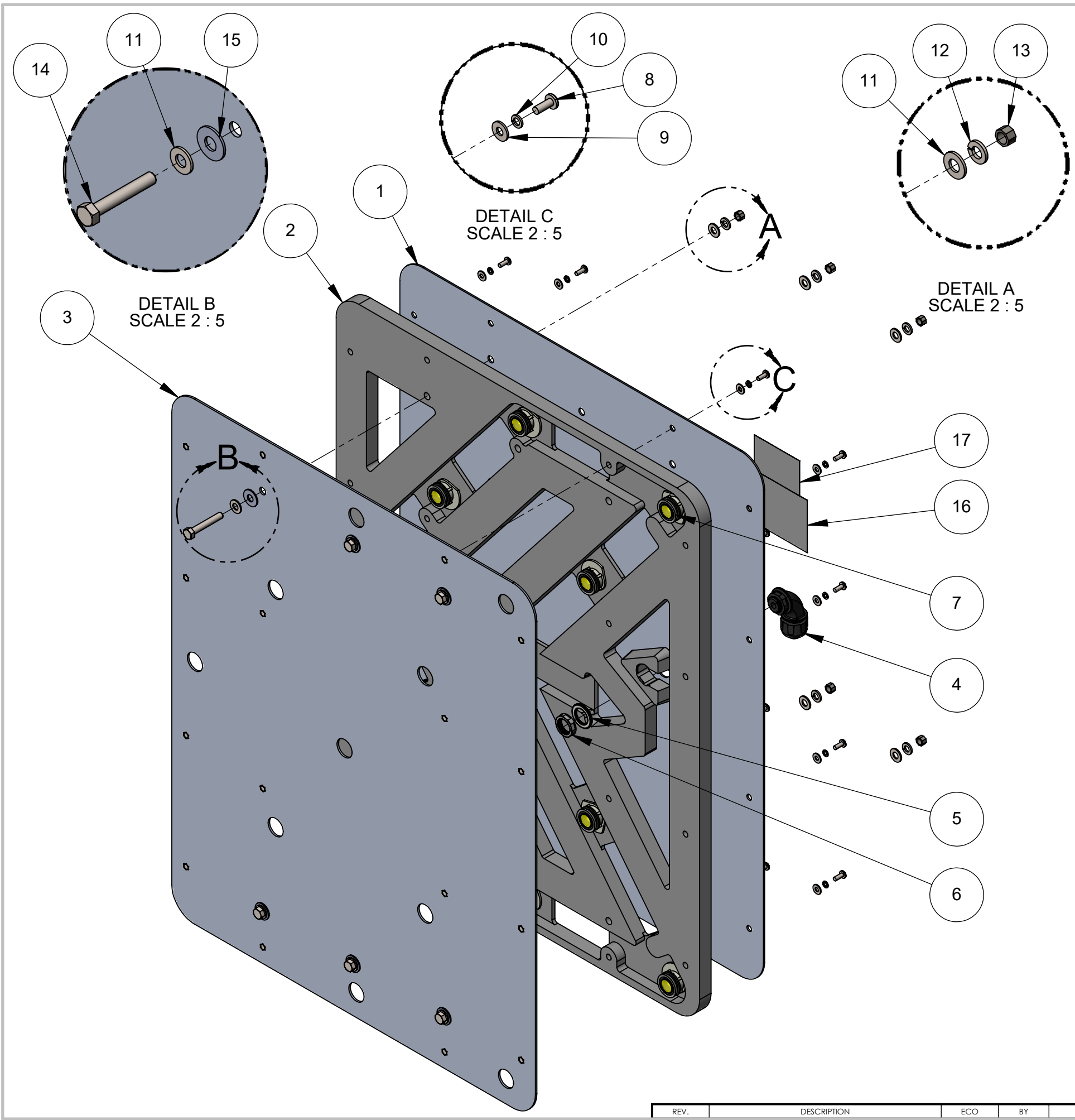
19	137424	LED STRING, AMBER, 10 LEDS, 18" LEADS	1	SG
18	108383 (NOT SHOWN)	TERMINAL, PIGTAIL SPLICE, CRIMP WHITE	2	EA
17	100043 (NOT SHOWN)	WIRE 18 GA 2C 16TC 2464 ON JACKET 300V CM BROWN, BLUE M33502 (1000'/RL)	12	FT
16	100308 (NOT SHOWN)	CONDUIT LIQUID TIGHT 100' COIL	11	FT
15	007-00008 (NOT SHOWN)	30" BLINKERSIGN BOX BOTTOM 40-5/8" X 33-3/4" X 6-5/16"	1	EA
14	007-00002 (NOT SHOWN)	30" BLINKERSIGN BOX COVER, 33"X40"X6" #275	1	EA
13	114384 (NOT SHOWN)	BUBBLE WRAP 48"X750' 3/16" BUBBLES	4.04	FT
12	645-2	VHB TAPE, 3M 5952 , 1/4" x 36 YARDS	7	IN
11	645-2	VHB TAPE, 3M 5952 , 1/4" x 36 YARDS	116	IN
10	645-2	VHB TAPE, 3M 5952 , 1/4" x 36 YARDS	34	IN
9	2786-00001	ALUMINUM WIRE CHANNEL, #22-1285 PIECES 8', PER FOOT	1	IN
8	2786-00001	ALUMINUM WIRE CHANNEL, #22-1285 PIECES 8', PER FOOT	59	IN
7	2786-00001	ALUMINUM WIRE CHANNEL, #22-1285 PIECES 8', PER FOOT	17.25	IN
6	105450	LABEL, PRINTABLE, 3.87x3, TAPCO W/ NO PHONE NUMBER FOR SERIALIZATION, 1010-00003	1	EA
5	100861	BLINKER DECAL 3X2 FOR BLINKERSIGNS EGP BLK ON WHT	1	EA
4	139691	NUT 1/4-20 TRI GROOVE VMI VMI	2	EA
3	139688	WELDSTUD 1/4-20X3/4 ALUM W/FLG vmi	2	EA
2	115480	BLINKERSIGN DIRECT FIRE KIT FOR PRODUCTION USE ONLY	1	EA
1	100242	W1-8, 24"X30"X.080 DG3 FY, CHEVRON WITH	1	EA
ITEM NO.	PART NUMBER	DESCRIPTION	QTY.	UNITS



C:\SMP\TAPCO\PM\MECHANICAL GROUP\SPECIFICATION\2180-00225DF	
MATERIAL	INTERPRET GEOMETRIC TOLERANCING PER: ASME Y14.5-2009
FINISH	REFERENCE:

TOLERANCE UNLESS OTHERWISE SPECIFIED HOLE ϕ ± 0.003 DEC. INCH X ± 0.030 XX ± 0.015 XXX ± 0.005 ANGULAR $\pm 0.5^\circ$		TITLE: BLINKERSIGN, W1-8, 24X30", CHEVRON, DG3, FY, DIRECT FIRE, 10 AMB LEDSW	
DESIGNED BY:	SIZE	DWG. NO.	REV
DRAWN BY:		B	A
CHECKED BY:	1/4/2019	2180-00225DF	WEIGHT:
PROPRIETARY AND CONFIDENTIAL THE INFORMATION CONTAINED IN THIS DRAWING IS THE SOLE PROPERTY OF TAPCO. ANY REPRODUCTION IN PART OR AS A WHOLE WITHOUT THE WRITTEN PERMISSION OF TAPCO IS PROHIBITED.			SCALE: 1:5
			SHEET 1 OF 1

8 7 6 5 4 3 2 1



29	119426 (NOT SHOWN)	HEATSHRINK, 1/8"X100' BLACK THIN 1/8X100 BLK THINHST	2	IN
28	120328 (NOT SHOWN)	CABLE TIE, 8", BLACK	3	EA
27	141722 (NOT SHOWN)	WIRE SPLICE, LEVER-NUT, 3 CONDUCTORS, 24-12 AWG, WAGO 22-413 VMI	2	EA
26	007-00008 (NOT SHOWN)	30" BLINKERSIGN BOX BOTTOM 40-5/8" X 33-3/4" X 6-5/16"	1	EA
25	007-00002 (NOT SHOWN)	30" BLINKERSIGN BOX COVER, 33"X40"X6" #275	1	EA
24	114384 (NOT SHOWN)	BUBBLE WRAP 48"X750' 3/16" BUBBLES	4	FT
23	102006 (NOT SHOWN)	CONN SNAP SPADE #8 22-16AWG (RED)	2	EA
22	144081 (NOT SHOWN)	CABLE, 2C, 18AWG, RED/BLK, TC, 16STR, UL RATED, 1000' SPOOL MFG ONLY	12	FT
21	3438-00002 (NOT SHOWN)	LOCKNUT, CORDGRIP/CONDUIT, 1/2" HEYCO VMI #8463	1	EA
20	100307 (NOT SHOWN)	WASHER SEALING LIQUID TIGHT FITTING HEYCO 3260, M3231	1	EA
19	100308 (NOT SHOWN)	CONDUIT LIQUID TIGHT 100' COIL	11	FT
18	100309 (NOT SHOWN)	FITTING 90 DEGREE CONDUIT LIQUID TIGHT HEYCO 8423	1	EA
17	100861	BLINKER DECAL 3X2 FOR BLINKERSIGNS EGP BLK ON WHT	1	EA
16	105450	LABEL, PRINTABLE, 3.87x3, TAPCO W/ NO PHONE NUMBER FOR SERIALIZATION, 1010-00003	1	EA
15	052-00295	NYLON WASHER 5/16" X 7/8" OD	6	EA
14	763-00055	BOLT 5/16-18X2 HED S/S VMI	6	EA
13	3177-00034	NUT 5/16-18 HEX S/S	6	EA
12	2164-00043	WASHER LOCK 5/16 SPLIT S/S vmi	6	EA
11	2164-00044	WASHER FLAT 5/16ID X3/4OD S/S	12	EA
10	763-00034	WASHER LOCK #10 SPLIT 18-8 S/S	16	EA
9	763-00033	WASHER FLAT #10 18-8 S/S	16	EA
8	763-00099	SCREW, PINNED TORX #10-32 X 1/2" SS	16	EA
7	137424	LED STRING, AMBER, 10 LEDS, 18" LEADS	1	SG
6	3438-00002	CORD GRIP, 1/2", LOCKNUT, HEYCO	1	EA
5	100307	WASHER SEALING LIQUID TIGHT FITTING HEYCO 3260, M3231	1	EA
4	100309	FITTING 90-DEGREE CONDUIT LIQUID TIGHT HEYCO 8423	1	EA
3	146858	SIGN, 24"X30"X.080, REC, DG3, FY, 1160, 10 LEDS,	1	EA
2	146859	SUBSTRATE, 24"X30", REC, 1.5" R, RUGGEDIZED,	1	EA
1	146860	BLANK, 24"X30"X.080, REC, 1.5" R, RUGGEDIZED SIGN	1	EA
ITEM NO.	PART NUMBER	DESCRIPTION	QTY.	UNITS

30R011	BLINKERSIGN, 24"X30", CHEVRON, REC, DG3, FY, DF,
PART NUMBER	DESCRIPTION

DIMENSIONS ARE INCH AND TOLERANCES ARE AS FOLLOWS UNLESS OTHERWISE SPECIFIED	
.X	±0.1
.XX	±0.02
.XXX	±0.008
ANGLES	±1°
DESIGNED BY	SR
DATE	05/04/2021
DRAWN BY	SR
DATE	05/04/2021
APPROVED BY	
DATE	

TAPCO
TRAFFIC & PARKING CONTROL CO., INC.

5100 West Brown Deer Rd
Brown Deer, WI 53223 USA

7840 North 86th Street
Milwaukee, WI 53224 USA

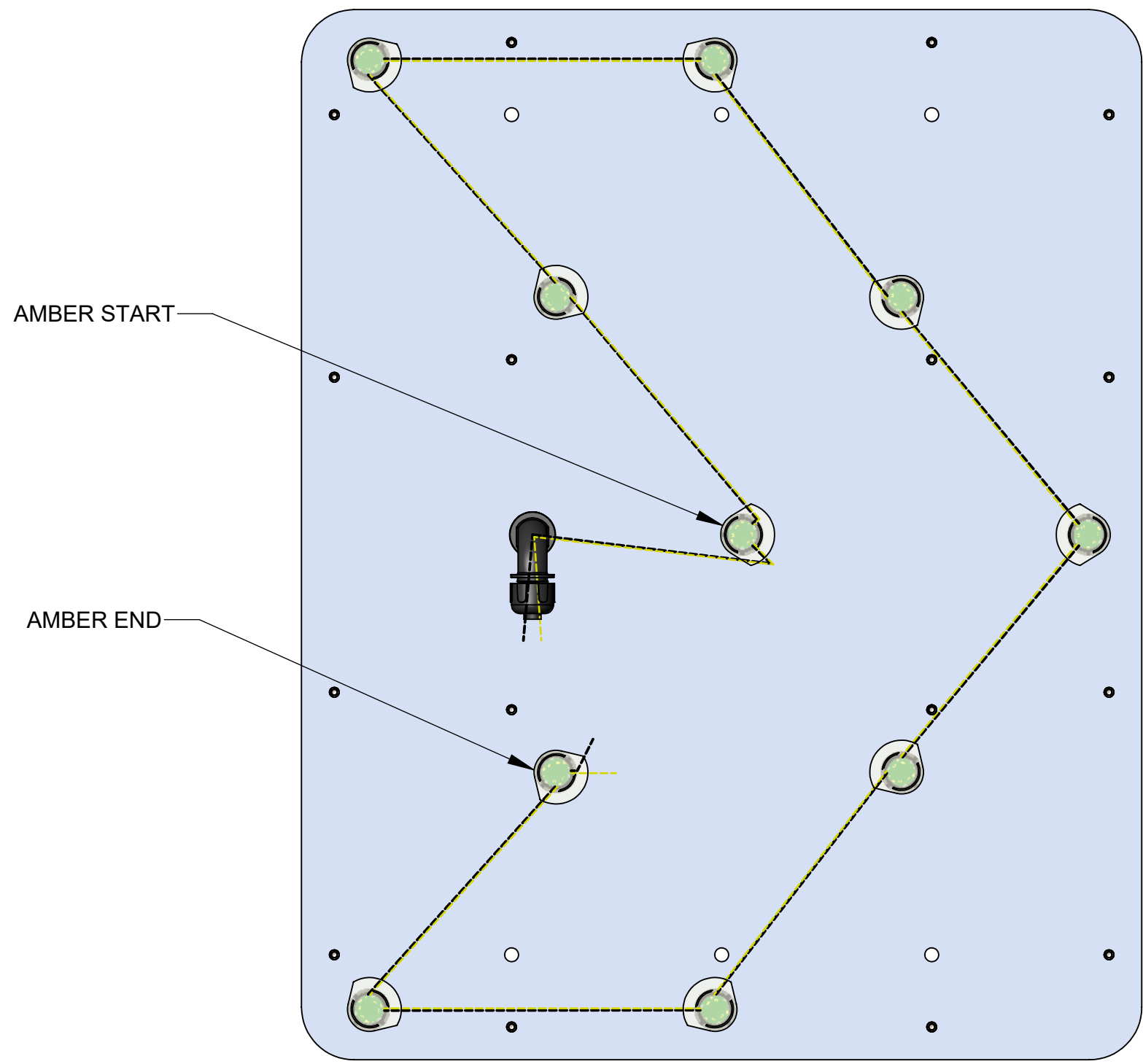
TITLE: **BLINKERSIGN, 24"X30", CHEVRON, REC, DG3, FY, DF, 10 AMBER LEDS, RUGGEDIZED**

SIZE: **B** DOCUMENT NO. (SEE TABLE FOR P/N) **30R011** REVISION

SCALE: **1:5** REFERENCE: SHT **1 of 2**

THIS DRAWING IS THE PROPERTY OF TAPCO (Traffic & Parking Control Company, Inc.) AND SHALL NOT BE DUPLICATED WITHOUT PERMISSION

REV.	DESCRIPTION	ECO	BY	DATE
------	-------------	-----	----	------



30R011	BLINKERSIGN, 24"X30", CHEVRON, REC, DG3, FY, DF,
PART NUMBER	DESCRIPTION

DIMENSIONS ARE INCH AND TOLERANCES ARE AS FOLLOWS UNLESS OTHERWISE SPECIFIED

.X	±0.1
.XX	±0.02
.XXX	±0.008
ANGLES	±1°

DESIGNED BY	DATE
SR	05/04/2021
DRAWN BY	DATE
SR	05/04/2021
APPROVED BY	DATE

TAPCO
TRAFFIC & PARKING CONTROL CO., INC.

5100 West Brown Deer Rd
Brown Deer, WI 53223 USA

7840 North 86th Street
Milwaukee, WI 53224 USA

TITLE: BLINKERSIGN, 24"X30", CHEVRON, REC, DG3, FY, DF,
10 AMBER LEDS, RUGGEDIZED

SIZE	DOCUMENT NO.	REVISION
B	(SEE TABLE FOR P/N) 30R011	

SCALE: 1:4 REFERENCE: SHT 2 of 2

THIS DRAWING IS THE PROPERTY OF TAPCO (Traffic & Parking Control Company, INC.) AND SHALL NOT BE DUPLICATED WITHOUT PERMISSION

REV.	DESCRIPTION	ECO	BY	DATE